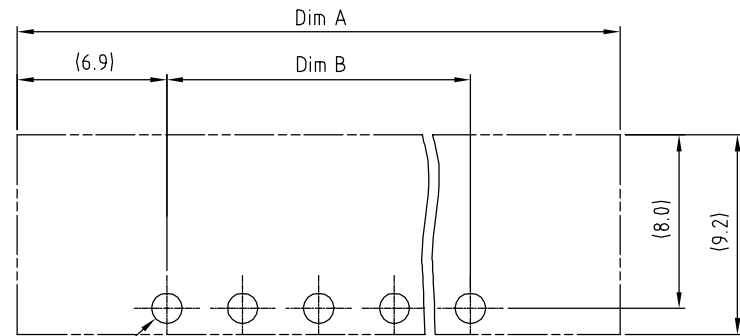
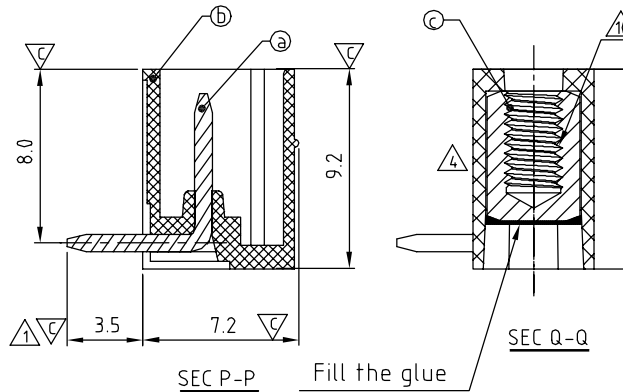
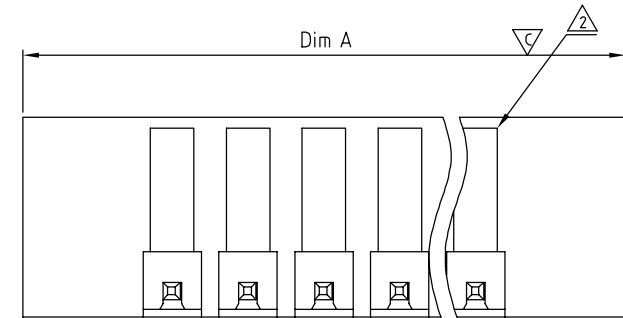


N= Number of contacts

Dim A	$(N-1) \times 3.5 + 13.8$
Dim B	$(N-1) \times 3.5$
Dim C	$(N-1) \times 3.5$
Dim D	$(N-1) \times 3.5 + 8.6$

2p-6p	$\pm 0.15$
7p-12p	$\pm 0.20$
13p-16p	$\pm 0.25$
17p-24p	$\pm 0.30$



$\phi 1.40$  RECOMMENDED PCB LAYOUT

SIGN	DATE	DESCRIPTION	APPROVER
△	10/20'05	Dim changed from 3.8 to 3.5	Marvin
△	04/20'06	added feature	Marvin
△	8/16'06	Added VDE standard	Steady
△	1/11'07	Soldering temperature changed from 245° to 250°	Tony
△	12/27'07	Body flange is changed	Marvin
△	5/27'08	Operating temperature is changed	Marvin
△	2009.08.18	The material is changed	Jacke
△	2009.08.28	The design is changed from the round hole to hexagonal hole	Jacke
△	2010.07.07	Remove the CSA mark	Chen Bo
△	11/18'11	Flange nut is changed	ChenMing
△	2012.05.14	Voltage rating is changed	Chen Bo
△	2012.05.14	The Dimension Dim C & Dim D are added	Chen Bo

THIS IS CAD DRAWING, DO NOT REVISE MANUALLY!!!

Material:

- Item ① Male contact pin: Copper C1100 Tin plated
- Item ② Terminalhousing: Thermoplastic (UL94V-0)
- Item ③ With flange nut: Brass M2.5

Electrical: cULus /VDE

- Voltage rating: 300V/300V
- Current rating: 10A/10.5A
- Withstanding Voltage: 1.6 KV/2.5KV
- Operating temperature: -40°C to +115°C
- Soldering temperature: 250°C $\pm$ 10°C/5 Sec
- Safety Approval:
- Critical dimension:  $\nabla$

OQ xx 1 5 x 1 xxxx G

- No. OF POLES: 02: 2 POLES, 24: 24 POLES
- Color: 0 Black (RAL9005), 2 Red (RAL3001/D), 3 Orange(RAL2011/P), 4 Yellow(RAL1018/A), 5 Green(RAL6018/T), 6 Blue (RAL5015/A), 8 Grey(RAL7035/D)
- G RoHS compliant (lead<4%) In copper Alloy
- 0000: "@ " Logo
- 000A: "ANYTEK" Logo
- Any special item by customer request.
- please contact sales department.

ANYTEK				CUSTOMER COPY			
ALL RIGHTS RESERVED. REPRODUCTION OR ISSUE TO THIRD PARTIES IN ANY FORM WHATSOEVER IS NOT PERMITTED WITHOUT WRITTEN AUTHORITY FROM THE PROPRIETOR. PROPERTY OF ANYTEK TECHNOLOGY CO., LTD							
TITLE		OQ 3.5mm 90° Series With flange					
PART NO.		OQxx15x1xxxxG		DWG NO.		80Q04.04	
APPROVED		DESIGNED	DRAWN	CUST NO.		Tolerance	
		Chen Bo 05/14'12	Chen Bo 05/14'12			X. $\pm 0.50$ X.X $\pm 0.30$ X.XX $\pm 0.10$ X° $\pm 1°$	
				SHEET: 01/01		UNIT: mm SCALE: NONE REV.: N	

# Mouser Electronics

Authorized Distributor

Click to View Pricing, Inventory, Delivery & Lifecycle Information:

## Amphenol:

[OQ10155100J0G](#) [OQ02155100J0G](#) [OQ03155100J0G](#) [OQ04155100J0G](#) [OQ08155100J0G](#) [OQ1715510000G](#)  
[OQ0615510000G](#) [OQ1315510000G](#) [OQ1515510000G](#) [OQ1815510000G](#) [OQ1215510000G](#) [OQ0915510000G](#)  
[OQ1615510000G](#) [OQ0515510000G](#) [OQ1915510000G](#) [OQ2215510000G](#) [OQ2415510000G](#) [OQ2015510000G](#)  
[OQ1115510000G](#) [OQ0715510000G](#) [OQ2115510000G](#) [OQ2315510000G](#) [OQ1415510000G](#) [OQ0315510000G](#)  
[OQ0415510000G](#) [OQ1015510000G](#) [OQ0815510000G](#) [OQ0215510000G](#) [OQ0415810000G](#) [OQ0215810000G](#)  
[OQ0415010000G](#) [OQ0315010000G](#) [OQ0315810000G](#) [OQ0215010000G](#) [OQ1715010000G](#) [OQ2115010000G](#)  
[OQ2415810000G](#) [OQ1815010000G](#) [OQ2215010000G](#) [OQ2115810000G](#) [OQ2315810000G](#) [OQ2415010000G](#)  
[OQ1315010000G](#) [OQ1415010000G](#) [OQ1215010000G](#) [OQ1415810000G](#) [OQ1215810000G](#) [OQ1315810000G](#)  
[OQ1515010000G](#) [OQ1615010000G](#) [OQ1015810000G](#) [OQ1815810000G](#) [OQ1515810000G](#) [OQ1915010000G](#)  
[OQ1615810000G](#) [OQ1715810000G](#) [OQ2015810000G](#) [OQ2015010000G](#) [OQ2315010000G](#) [OQ1915810000G](#)  
[OQ2215810000G](#) [OQ0515810000G](#) [OQ0915810000G](#) [OQ0715010000G](#) [OQ0515010000G](#) [OQ0615010000G](#)  
[OQ0815010000G](#) [OQ0615810000G](#) [OQ0715810000G](#) [OQ0815810000G](#) [OQ1115810000G](#) [OQ0915010000G](#)  
[OQ1015010000G](#) [OQ1115010000G](#)