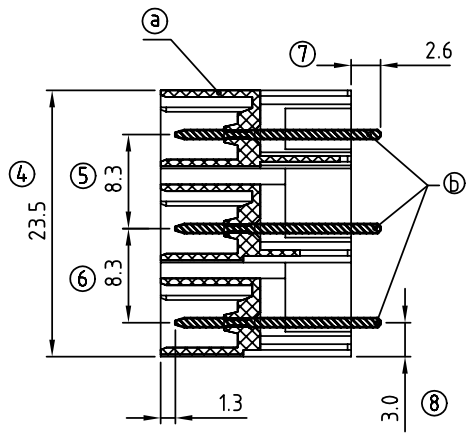
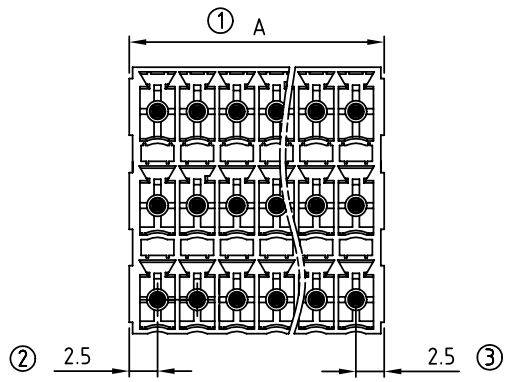


SIGN	DATE	DESCRIPTION	APPROVER
△			

**THIS IS CAD DRAWING, DO NOT REVISE MANUALLY!!!**

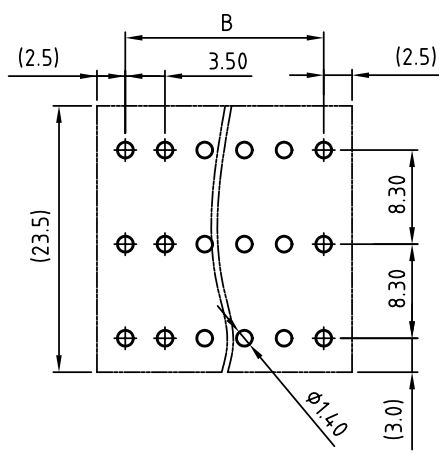
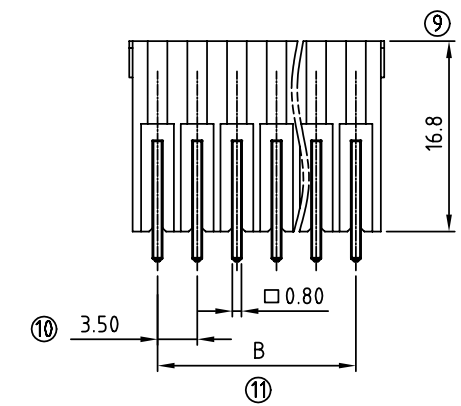


Material:

- Item ① Terminal(housing): PA66 30% GF (UL94V-0)
- Item ② Contact pin : copper Tin plated

Electrical: cULus

- Voltage rating: 160V
- Current rating: 5.5A
- Withstanding Voltage: 1.32 KV
- Operating temperature: -40°C to +115°C
- Soldering temperature: 250°C ±10°C/5 Sec
- APPROVAL:



PCB Layout

K3 xx 1 1 x 0 xxxx G

No. OF POLES ————

06: 3x2 POLES

09: 3x3 POLES

⋮

72: 3x24 POLES

COLOR ————

0 Black (RAL9005)

3 Orange(RAL2011/P)

5 Green(RAL6018/T)

6 Blue (RAL5015/A)

8 Grey(RAL7035/D)

G: Pb<40000ppm

A000: "@ Logo (Standard)

△ A00A: "ANYTEK" Mark

Any special item by customer request. please contact sales department.

POLE		3x2	3x3	3x4	3x5	3x6	3x7	3x8	3x9	3x10	3x11	3x12
A		8.50	12.00	15.50	19.00	22.50	26.00	29.50	33.00	36.50	40.00	43.50
B		3.50	7.00	10.50	14.00	17.50	21.00	24.50	28.00	31.50	35.00	38.50
Tol.		±0.15					±0.20					
POLE	3x13	3x14	3x15	3x16	3x17	3x18	3x19	3x20	3x21	3x22	3x23	3x24
A	47.00	50.50	54.00	57.50	61.00	64.50	68.00	71.50	75.00	78.50	82.00	85.50
B	42.00	45.50	49.00	52.50	56.00	59.50	63.00	66.50	70.00	73.50	77.00	80.50
Tol.	±0.25					±0.30						

<b>ANYTEK</b>				<b>CUSTOMER COPY</b>			
ALL RIGHTS RESERVED. REPRODUCTION OR ISSUE TO THIRD PARTIES IN ANY FORM WHATSOEVER IS NOT PERMITTED WITHOUT WRITTEN AUTHORITY FROM THE PROPRIETOR. PROPERTY OF ANYTEK TECHNOLOGY CO., LTD							
TITLE		K3 3.5mm W/O Flange Series (180°-Vertical) DIP type					
PART NO.		K3xx11x00000G			DWG NO.		8K30010
APPROVED		CHECKED	DESIGNED	DRAWN	CUST NO.		Tolerance
							X. ±0.50
							X.X ±0.30
							X.XX ±0.10
							X° ±1°
		Runner 2010.09.18	Runner 2010.06.28			UNIT: mm	
				SHEET: 01/01		SCALE: NONE	
						REV.: A2	

# Mouser Electronics

Authorized Distributor

Click to View Pricing, Inventory, Delivery & Lifecycle Information:

## Amphenol:

[K3061150A000G](#) [K3091150A000G](#) [K3121150A000G](#) [K3151150A000G](#) [K3181150A000G](#) [K3211150A000G](#)  
[K3241150A000G](#) [K3271150A000G](#) [K3301150A000G](#) [K3331150A000G](#) [K3361150A000G](#) [K3391150A000G](#)  
[K3421150A000G](#) [K3451150A000G](#) [K3481150A000G](#) [K3511150A000G](#) [K3541150A000G](#) [K3571150A000G](#)  
[K3601150A000G](#) [K3631150A000G](#) [K3661150A000G](#) [K3691150A000G](#) [K3721150A000G](#)