

DIMENSION

Dim L	$(N-1) \times 7.62 + 22.86$
Dim A	$(N-1) \times 7.62 + 15.24$
Dim B	$(N-1) \times 7.62$
Dim C	$(N-1) \times 7.62$

N=Number of contacts

Poles	Tolerance
2p-5p	± 0.20
6p-12p	± 0.30
13p-16p	± 0.40

SIGN	DATE	DESCRIPTION	APPROVER
△	2013.09.21	P.C.B Layout is changed	Chen Bo
△	12/10`13	change the electrical specification	Chen Bo
△	12/10`13	change the product number	Chen Bo

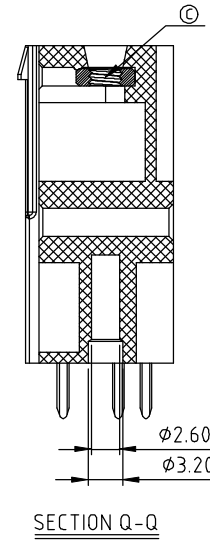
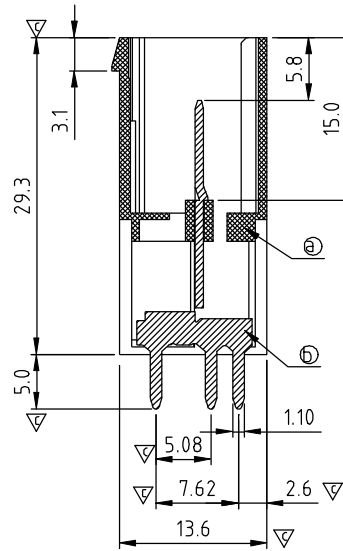
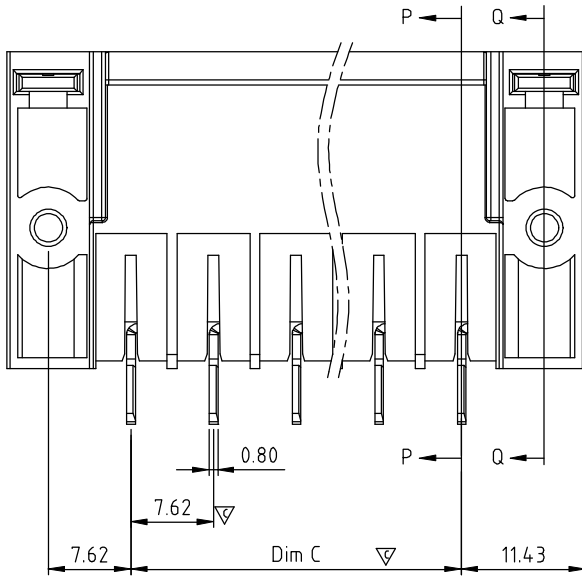
THIS IS CAD DRAWING, DO NOT REVISE MANUALLY!!!

Material:

- Item a Terminal(housing): Thermoplastic (UL94V-0)
- Item b Contact pin: Copper, Tin plated
- Item c With flange nut : Steel zinc plating M3

Electrical:

- Voltage rating:300V
- △ ● Current rating:41A
- Withstanding Voltage:1.6 KV
- Operating temperature:-40°C to +115°C
- △ ● Soldering temperature:260°C±5°C/5 Sec
- Safety Approval: US
- Critical dimension: ▽



△ 3 VC xx 0 1 x A xxxx G

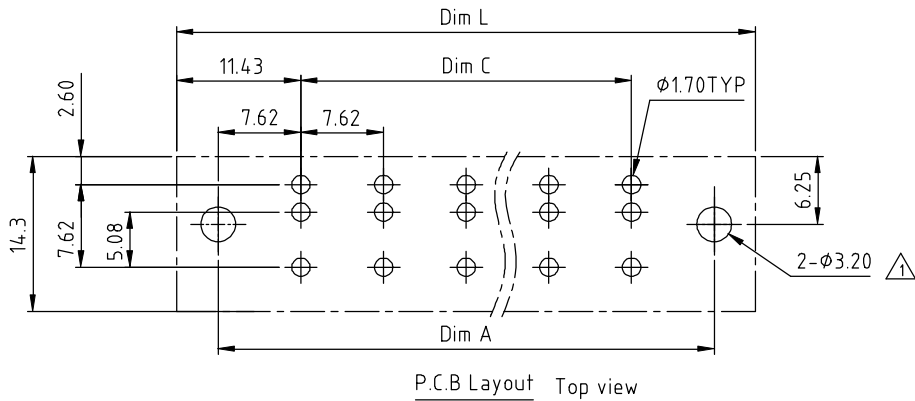
No. OF POLES
02: 2 POLES
:
16: 16 POLES

G RoHS compliant (lead<4%)
In copper Alloy
0000: "@" Logo (Standard)
000A: "ANYTEK" Mark
Any special item by customer request. please contact sales department.

- COLOR
- 0 Black (RAL9005)
 - 2 Red (RAL3001/D)
 - 3 Orange(RAL2011/P)
 - 4 Yellow(RAL1018/A)
 - 5 Green(RAL6018/T)
 - 6 Blue (RAL5015/A)
 - 8 Grey(RAL7035/D)
 - 9 White(RAL1102)
 - C Green(RAL6018/U)

SECTION P-P

SECTION Q-Q



P.C.B Layout Top view

<h1>ANYTEK</h1>				<h2>CUSTOMER COPY</h2>			
ALL RIGHTS RESERVED. REPRODUCTION OR ISSUE TO THIRD PARTIES IN ANY FORM WHATSOEVER IS NOT PERMITTED WITHOUT WRITTEN AUTHORITY FROM THE PROPRIETOR. PROPERTY OF ANYTEK TECHNOLOGY CO., LTD							
TITLE		VC 7.62 Series 2P-16P W/flange Vertical (Three tail type)					
PART NO.		VCxx01xAxxxxG			DWG NO.		8VC0104
APPROVED		CHECKED	DESIGNED	DRAWN	CUST NO.		Tolerance
			Chen Bo 12/10`13	Chen Bo 12/10`13			X. ±0.50 X.X ±0.30 X.XX ±0.10 X° ±1°
						UNIT: mm	
				SHEET: 01/01		SCALE: NONE	REV.: D

Mouser Electronics

Authorized Distributor

Click to View Pricing, Inventory, Delivery & Lifecycle Information:

[Amphenol:](#)

[VC02015A0000G](#) [VC03015A0000G](#) [VC04015A0000G](#) [VC05015A0000G](#) [VC06015A0000G](#) [VC07015A0000G](#)
[VC08015A0000G](#) [VC09015A0000G](#) [VC10015A0000G](#) [VC11015A0000G](#) [VC12015A0000G](#) [VC13015A0000G](#)
[VC14015A0000G](#) [VC15015A0000G](#) [VC16015A0000G](#)