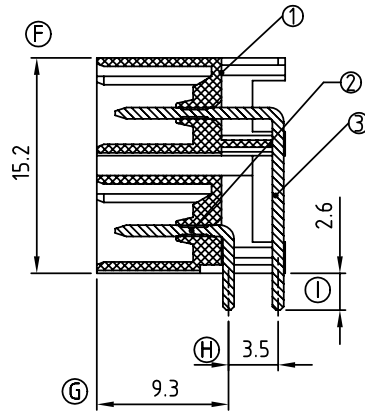
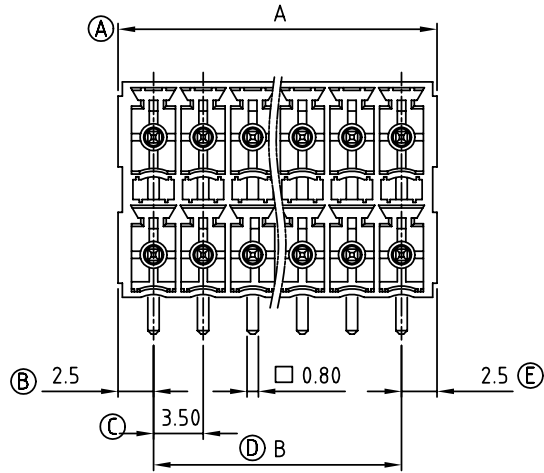


SIGN	DATE	DESCRIPTION	APPROVER
△	9/17'10	How to order is changed	Runner
THIS IS CAD DRAWING, DO NOT REVISE MANUALLY!!!			



Material:

- Item ① Terminal(housing): PA66 30% GF (UL94V-0)
- Item ② Contact pin of short: copper Tin plated
- Item ③ Contact pin of long: copper Tin plated

Electrical:

- Voltage rating: 160V
- Current rating: 5.5A
- Withstanding Voltage: 1.32 KV
- Operating temperature: -40°C to +115°C
- Soldering temperature: 250°C ±10°C/5 Sec
- APPROVAL: US

cULus

KE xx 1 1 x 1 xxxx G

No. OF POLES

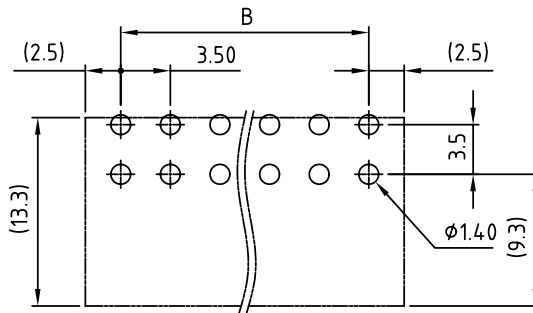
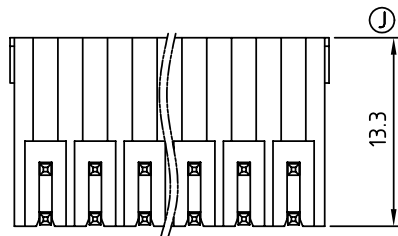
- 04: 2×2 POLES
- 06: 2×3 POLES
- ...
- 48: 2×24 POLES

COLOR

- 0 Black (RAL9005)
- 2 Red (RAL3001/D)
- 3 Orange(RAL2011/P)
- 4 Yellow(RAL1018/A)
- 5 Green(RAL6018/T)
- 6 Blue (RAL5015/A)
- 8 Grey(RAL7035/D)

G: Pb<40000ppm

△ A00 0: "@" Mark
 △ A00 A: "ANYTEK" Mark
 Any special item by customer request. please contact sales department.



PCB Layout

POLE		2×2	2×3	2×4	2×5	2×6	2×7	2×8	2×9	2×10	2×11	2×12	
A		8.50	12.00	15.50	19.00	22.50	26.00	29.50	33.00	36.50	40.00	43.50	
B		3.50	7.00	10.50	14.00	17.50	21.00	24.50	28.00	31.50	35.00	38.50	
Tol.		±0.15					±0.20						
POLE		2×13	2×14	2×15	2×16	2×17	2×18	2×19	2×20	2×21	2×22	2×23	2×24
A		47.00	50.50	54.00	57.50	61.00	64.50	68.00	71.50	75.00	78.50	82.00	85.50
B		42.00	45.50	49.00	52.50	56.00	59.50	63.00	66.50	70.00	73.50	77.00	80.50
Tol.		±0.25					±0.30						

ANYTEK

CUSTOMER COPY

ALL RIGHTS RESERVED. REPRODUCTION OR ISSUE TO THIRD PARTIES IN ANY FORM WHATSOEVER IS NOT PERMITTED WITHOUT WRITTEN AUTHORITY FROM THE PROPRIETOR. PROPERTY OF ANYTEK TECHNOLOGY CO., LTD

TITLE		KE 3.5mm W/O Flange Series (Right angle) DIP type											
PART NO.	KExx11x1xxxxG					DWG NO.	8KE0007						
APPROVED	CHECKED	DESIGNED	DRAWN	CUST NO.									Tolerance
		Runner 2010.09.17	Runner 2010.04.12										X. ±0.50
				SHEET: 01/01	UNIT: mm							X.X ±0.30	
				REV.: C							X.XX ±0.10		
											X° ±1°		

Mouser Electronics

Authorized Distributor

Click to View Pricing, Inventory, Delivery & Lifecycle Information:

Amphenol:

[KE041151A000G](#) [KE061151A000G](#) [KE081151A000G](#) [KE101151A000G](#) [KE121151A000G](#) [KE141151A000G](#)
[KE161151A000G](#) [KE181151A000G](#) [KE201151A000G](#) [KE221151A000G](#) [KE241151A000G](#) [KE261151A000G](#)
[KE281151A000G](#) [KE301151A000G](#) [KE321151A000G](#) [KE341151A000G](#) [KE361151A000G](#) [KE381151A000G](#)
[KE401151A000G](#) [KE421151A000G](#) [KE441151A000G](#) [KE461151A000G](#) [KE481151A000G](#)