

拉柄對應P數表

TJ3.81成品P數	TJ3.5拉柄P數
2P-4P	2P
5P-9P	5P
10P-15P	8P
16P-24P	12P

SIGN	DATE	DESCRIPTION	APPROVER
△	2010.07.09	The solid and Stranded wire is changed from16-26 to16-28	Chen Bo
△	2010.07.09	Added VDE standard	Chen Bo

THIS IS CAD DRAWING, DO NOT REVISE MANUALLY!!!

	Dim A	Dim B
2-6p	±0.15	±0.10
7-12p	±0.20	±0.15
13-18p	±0.25	±0.20
19-24p	±0.30	±0.25

N = Number of poles  
 Dim A=Nx3.5  
 Dim B=(N-1)x3.5

Material

- Item① Clamp: Brass(CuZn) Ni plated
- Item② Terminal screw: Steel Zinc plating "--" slot type
- Item③ Female contact: PhBz ,Tin plated
- Item④ Terminal (Cover): Thermoplastic (UL94V-0)
- Item⑤ Terminal (Body): Thermoplastic (UL94V-0)
- Item⑥ Handle: Thermoplastic (UL94V-0)

Electrical cULus/VDE △

- Voltage rating: 300VAC/300VAC
- Current rating: 10A/10.5A
- Wire range: 1.5mm<sup>2</sup>
- △ ● Solid wire(AWG): 16-28/16-28
- Stranded wire(AWG): 16-28/16-28
- Torque: 3Lb-In/0.2Nm
- Screw: M2
- Wire strip length: 6-7mm
- Withstanding Voltage: 1.6KV/2.5KV
- Operating temperature: -40°C to +115°C
- Safety Approval:

TJ xx 11 x 4 xxxx G

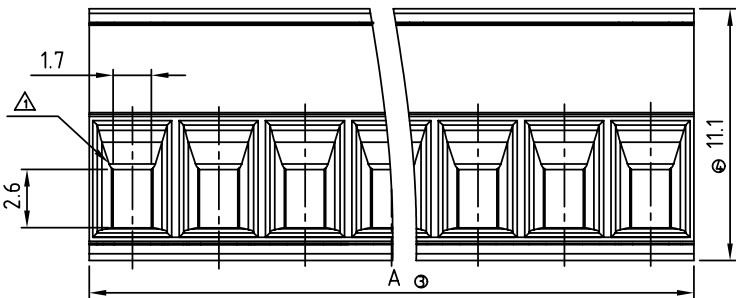
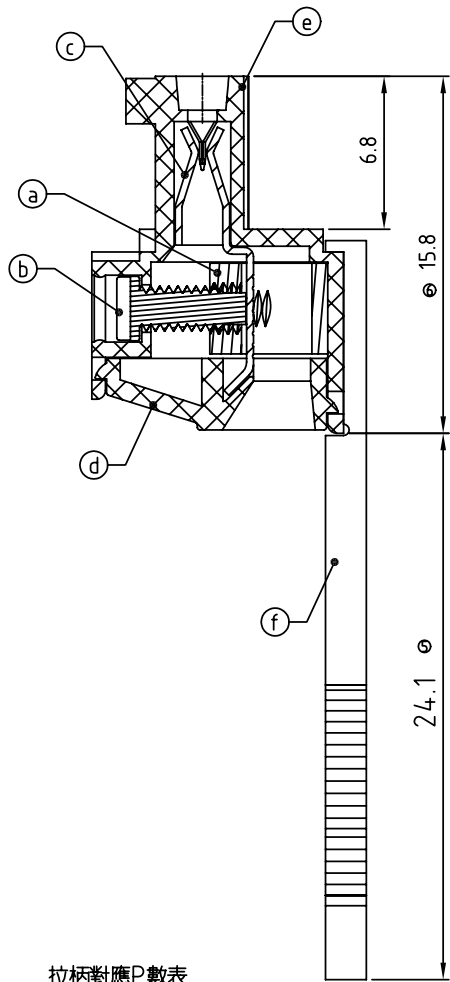
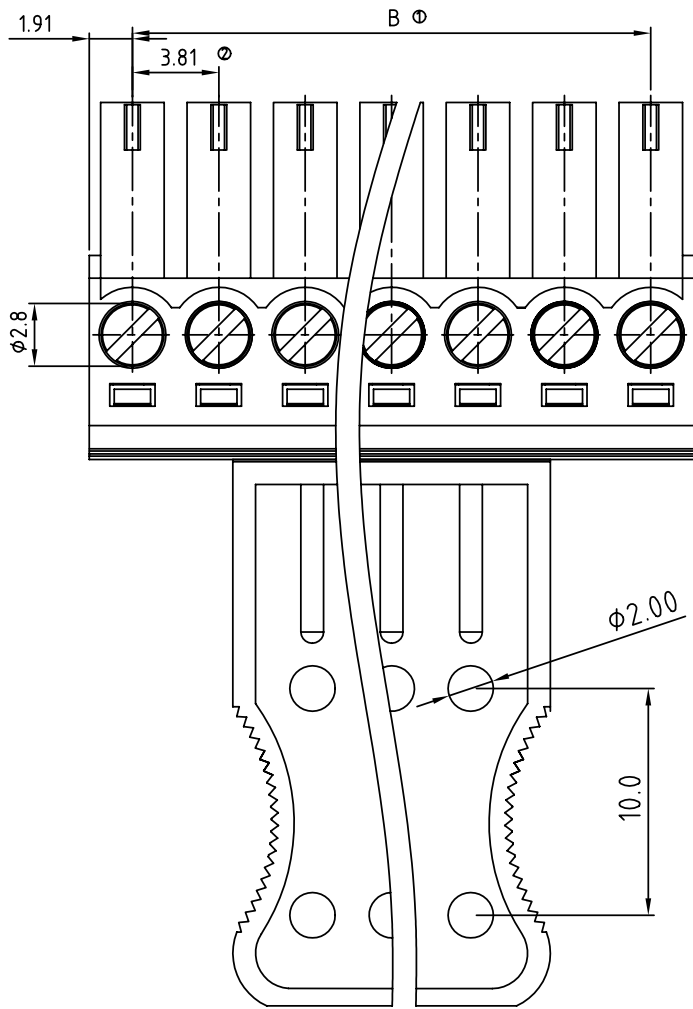
CONTACTS	COLOR	LOGO	OTHER
02 2 CONTACTS	0 Black (RAL9005)	0000 Standard @ Logo	Pb < 40,000ppm
03 3 CONTACTS	2 Red (RAL3001/D)	000A Standard ANY Logo	(RoHS)
...	3 Orange(RAL2011/P)	0091 Standard ANY Logo	
24 24 CONTACTS	4 Yellow(RAL1018/A)	Any special item by customer request, please contact sales department.	
	5 Green(RAL6018/T)		
	6 Blue (RAL5015/A)		
	8 Grey(RAL7035/D)		

**ANYTEK**

**CUSTOMER COPY**

ALL RIGHTS RESERVED. REPRODUCTION OR ISSUE TO THIRD PARTIES IN ANY FORM WHATSOEVER IS NOT PERMITTED WITHOUT WRITTEN AUTHORITY FROM THE PROPRIETOR. PROPERTY OF ANYTEK TECHNOLOGY CO., LTD

TITLE		TJ-3.5mm Series with handle		
PART NO.	TJxx11x4xxxxG	DWG NO.	8TJ0547	
APPROVED	CHECKED	DESIGNED	DRAWN	CUST NO.
			Chen Bo 2010.07.09	
				Tolerance
				X. ±0.50
				X.X ±0.30
				X.XX ±0.10
				X° ±1°
SHEET: 01/01				UNIT: mm
				SCALE: NONE
				REV.: C



拉柄對應P數表

TJ3.81成品P數	TJ3.5拉柄P數
2P-4P	2P
5P-9P	5P
10P-15P	8P
16P-24P	12P

N = Number of poles  
 Dim A = N x 3.81  
 Dim B = (N-1) x 3.81

	Dim A	Dim B
2-6p	±0.15	±0.10
7-12p	±0.20	±0.15
13-18p	±0.25	±0.20
19-24p	±0.30	±0.25

SIGN	DATE	DESCRIPTION	APPROVER
△	12/04'08	The wire entry hole was changed.	Jacke
△	12/04'08	Electrical standard changed.	Jacke
△	12/04'08	Add the tolerance table	Jacke
△	2010.07.12	The solid and Stranded wire is changed from 16-26 to 16-28	Chen Bo
△	2010.07.12	Remove the CSA mark	Chen Bo

THIS IS CAD DRAWING, DO NOT REVISE MANUALLY!!!

Material

- Item (a) Clamp: Brass (CuZn) Ni plated
- Item (b) Terminal screw: Steel Zinc plating "-" slot type
- Item (c) Female contact: PhBz, Tin plated
- Item (d) Terminal (Cover): Thermoplastic (UL94V-0)
- Item (e) Terminal (Body): Thermoplastic (UL94V-0)
- Item (f) Handle: Thermoplastic (UL94V-0)

△ Electrical cULus/VDE

- Voltage rating: 300VAC/300VAC
- Current rating: 10A/10.5A
- Wire range: 1.5mm<sup>2</sup>
- Solid wire (AWG): 16-28/16-28
- Stranded wire (AWG): 16-28/16-28
- Torque: 3Lb-In/0.2Nm
- Screw: M2
- Wire strip length: 6-7mm
- Withstanding Voltage: 1.6KV/2.5KV
- Operating temperature: -40°C to +115°C
- Safety Approval: cULus VDE

TJ xx 31 x 4 xxxx G

- 02 2 CONTACTS
  - 03 3 CONTACTS
  - ... ..
  - 24 24 CONTACTS
- 0 Black (RAL9005)
  - 2 Red (RAL3001/D)
  - 3 Orange (RAL2011/P)
  - 4 Yellow (RAL1018/A)
  - 5 Green (RAL6018/T)
  - 6 Blue (RAL5015/A)
  - 8 Grey (RAL7035/D)
- Pb < 40,000ppm (RoHS)
  - 000 0 Standard @ Logo
  - 000 A Standard ANY Logo
  - Any special item by customer request, please contact sales department.

**ANYTEK**

**CUSTOMER COPY**

ALL RIGHTS RESERVED. REPRODUCTION OR ISSUE TO THIRD PARTIES IN ANY FORM WHATSOEVER IS NOT PERMITTED WITHOUT WRITTEN AUTHORITY FROM THE PROPRIETOR. PROPERTY OF ANYTEK TECHNOLOGY CO., LTD

TITLE				TJ-3.81mm Series With handle			
PART NO.		TJxx31x4-xxxxG		DWG NO.		8TJ0653	
APPROVED	CHECKED	DESIGNED	DRAWN	CUST NO.		Tolerance	
			Chen Bo 2010.07.12			UNIT: mm SCALE: NONE REV.: D	
SHEET: 01/01				X. ±0.50 X.X ±0.30 X.XX ±0.10 X° ±1°			

# Mouser Electronics

Authorized Distributor

Click to View Pricing, Inventory, Delivery & Lifecycle Information:

## Amphenol:

<a href="#"><u>TJ0211540000G</u></a>	<a href="#"><u>TJ0231540000G</u></a>	<a href="#"><u>TJ0311540000G</u></a>	<a href="#"><u>TJ0331540000G</u></a>	<a href="#"><u>TJ0411540000G</u></a>	<a href="#"><u>TJ0431540000G</u></a>
<a href="#"><u>TJ0511540000G</u></a>	<a href="#"><u>TJ0531540000G</u></a>	<a href="#"><u>TJ0611540000G</u></a>	<a href="#"><u>TJ0631540000G</u></a>	<a href="#"><u>TJ0711540000G</u></a>	<a href="#"><u>TJ0731540000G</u></a>
<a href="#"><u>TJ0811540000G</u></a>	<a href="#"><u>TJ0831540000G</u></a>	<a href="#"><u>TJ0911540000G</u></a>	<a href="#"><u>TJ0931540000G</u></a>	<a href="#"><u>TJ1011540000G</u></a>	<a href="#"><u>TJ1031540000G</u></a>
<a href="#"><u>TJ1111540000G</u></a>	<a href="#"><u>TJ1131540000G</u></a>	<a href="#"><u>TJ1211540000G</u></a>	<a href="#"><u>TJ1231540000G</u></a>	<a href="#"><u>TJ1311540000G</u></a>	<a href="#"><u>TJ1331540000G</u></a>
<a href="#"><u>TJ1411540000G</u></a>	<a href="#"><u>TJ1431540000G</u></a>	<a href="#"><u>TJ1511540000G</u></a>	<a href="#"><u>TJ1531540000G</u></a>	<a href="#"><u>TJ1611540000G</u></a>	<a href="#"><u>TJ1631540000G</u></a>
<a href="#"><u>TJ1711540000G</u></a>	<a href="#"><u>TJ1731540000G</u></a>	<a href="#"><u>TJ1811540000G</u></a>	<a href="#"><u>TJ1831540000G</u></a>	<a href="#"><u>TJ1911540000G</u></a>	<a href="#"><u>TJ1931540000G</u></a>
<a href="#"><u>TJ2011540000G</u></a>	<a href="#"><u>TJ2031540000G</u></a>	<a href="#"><u>TJ2111540000G</u></a>	<a href="#"><u>TJ2131540000G</u></a>	<a href="#"><u>TJ2211540000G</u></a>	<a href="#"><u>TJ2231540000G</u></a>
<a href="#"><u>TJ2311540000G</u></a>	<a href="#"><u>TJ2331540000G</u></a>	<a href="#"><u>TJ2411540000G</u></a>	<a href="#"><u>TJ2431540000G</u></a>	<a href="#"><u>TJ0331040000G</u></a>	<a href="#"><u>TJ2431840000G</u></a>
<a href="#"><u>TJ0211840000G</u></a>	<a href="#"><u>TJ2031840000G</u></a>	<a href="#"><u>TJ2331840000G</u></a>	<a href="#"><u>TJ2411040000G</u></a>	<a href="#"><u>TJ2431040000G</u></a>	<a href="#"><u>TJ1831040000G</u></a>
<a href="#"><u>TJ1911040000G</u></a>	<a href="#"><u>TJ1811040000G</u></a>	<a href="#"><u>TJ1831840000G</u></a>	<a href="#"><u>TJ1931040000G</u></a>	<a href="#"><u>TJ2011840000G</u></a>	<a href="#"><u>TJ2111040000G</u></a>
<a href="#"><u>TJ2011040000G</u></a>	<a href="#"><u>TJ2311040000G</u></a>	<a href="#"><u>TJ0211040000G</u></a>	<a href="#"><u>TJ0231040000G</u></a>	<a href="#"><u>TJ1111840000G</u></a>	<a href="#"><u>TJ1131840000G</u></a>
<a href="#"><u>TJ1311040000G</u></a>	<a href="#"><u>TJ1211040000G</u></a>	<a href="#"><u>TJ1411040000G</u></a>	<a href="#"><u>TJ1531040000G</u></a>	<a href="#"><u>TJ2131040000G</u></a>	<a href="#"><u>TJ1231840000G</u></a>
<a href="#"><u>TJ1731840000G</u></a>	<a href="#"><u>TJ2031040000G</u></a>	<a href="#"><u>TJ2331040000G</u></a>	<a href="#"><u>TJ1631840000G</u></a>	<a href="#"><u>TJ1911840000G</u></a>	<a href="#"><u>TJ1931840000G</u></a>
<a href="#"><u>TJ1431840000G</u></a>	<a href="#"><u>TJ2411840000G</u></a>	<a href="#"><u>TJ2131840000G</u></a>	<a href="#"><u>TJ2211840000G</u></a>	<a href="#"><u>TJ2231840000G</u></a>	<a href="#"><u>TJ1511840000G</u></a>
<a href="#"><u>TJ2311840000G</u></a>	<a href="#"><u>TJ0411840000G</u></a>	<a href="#"><u>TJ2111840000G</u></a>	<a href="#"><u>TJ2211040000G</u></a>	<a href="#"><u>TJ0431040000G</u></a>	<a href="#"><u>TJ0231840000G</u></a>
<a href="#"><u>TJ0311840000G</u></a>	<a href="#"><u>TJ0431840000G</u></a>	<a href="#"><u>TJ0311040000G</u></a>	<a href="#"><u>TJ0331840000G</u></a>	<a href="#"><u>TJ1711840000G</u></a>	<a href="#"><u>TJ2231040000G</u></a>
<a href="#"><u>TJ0411040000G</u></a>	<a href="#"><u>TJ0611840000G</u></a>	<a href="#"><u>TJ0531040000G</u></a>	<a href="#"><u>TJ0531840000G</u></a>		