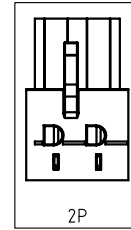


SIGN	DATE	DESCRIPTION	APPROVER
△	01/10'09	The design is changed	Jacke
△	04.20'09	The current rating and operating temperature are changed	Jacke
△	2010.01.12	Add cULus standard	Jacke
△	2010.03.31	Add the 2p mark	Jacke

THIS IS CAD DRAWING, DO NOT REVISE MANUALLY!!!

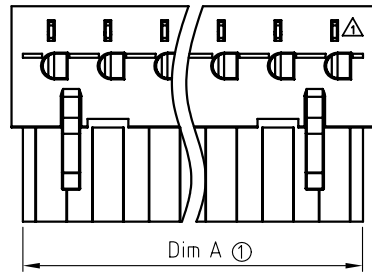


Materials

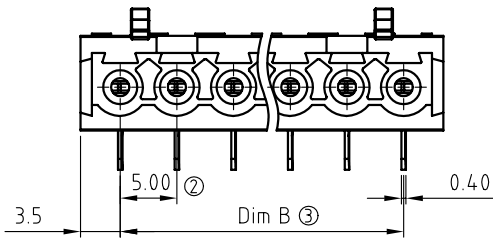
- Item a Terminal body; Thermoplastic (UL94V-0)
- Item b Female contact: PhBz(CuSn), Tin plated
- Item c Terminal cover: Thermoplastic (UL94V-0)

Electrical

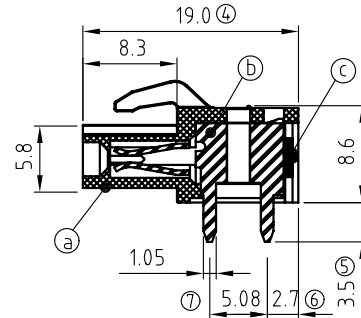
- Voltage rating: 300VAC
- Current rating: 10A
- Withstanding Voltage: 1.6kv
- △ ● Operating temperature: -40°C to +115°C
- Soldering temperature: 250°C±10°C/5 Sec
- △ ● Safety Approval: cULus



Dim A ①



Dim B ③



V7 xx 7 1 x 1 xxxx G

No. OF POLES

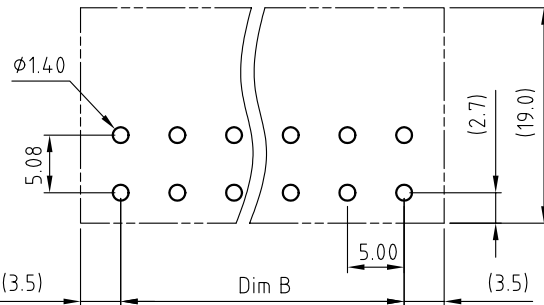
- 02 2 CONTACTS
- 03 3 CONTACTS
-
- 24 24 CONTACTS

Color

- 0 Black (RAL9005)
- 2 Red (RAL3001/D)
- 3 Orange (RAL2011/P)
- 4 Yellow (RAL1018/A)
- 5 Green (RAL6018/T)
- 6 Blue (RAL5015/A)
- 8 Grey (RAL7035/D)

G: Pb<40000ppm

0000: "@" Logo (Standard)
 000A: "ANYTEK" Mark
 Any special item by customer request.
 please contact sales department.



PCB LAYOUT

Poles	02	03	04	05	06	07	08	09	10	11	12	13
Dim A	10	15	20	25	30	35	40	45	50	55	60	65
Dim B	5	10	15	20	25	30	35	40	45	50	55	60
TOL	±0.10				±0.15				±0.20			
Poles	14	15	16	17	18	19	20	21	22	23	24	
Dim A	70	75	80	85	90	95	100	105	110	115	120	
Dim B	65	70	75	80	85	90	95	100	105	110	115	
TOL	±0.20			±0.25				±0.30				

ANYTEK

INSPECTION COPY

ALL RIGHTS RESERVED. REPRODUCTION OR ISSUE TO THIRD PARTIES IN ANY FORM WHATSOEVER IS NOT PERMITTED WITHOUT WRITTEN AUTHORITY FROM THE PROPRIETOR. PROPERTY OF ANYTEK TECHNOLOGY CO., LTD

TITLE	V7 5.0 Series Right angle						
PART NO.	V7xx71x1xxxxG			DWG NO.	8V70201		
APPROVED	CHECKED	DESIGNED	DRAWN	CUST NO.	Tolerance		
		Jacke	Jacke		X. ±0.5		
		2010.03.31	2010.01.12		X.X ±0.3		
					X.XX ±0.1		
					X° ±1°		
				SHEET: 01/01	UNIT: mm	SCALE: 2:1	REV.: E

Mouser Electronics

Authorized Distributor

Click to View Pricing, Inventory, Delivery & Lifecycle Information:

Amphenol:

[V70271510000G](#) [V70371510000G](#) [V70471510000G](#) [V70571510000G](#) [V70671510000G](#) [V70771510000G](#)
[V70871510000G](#) [V70971510000G](#) [V71071510000G](#) [V71171510000G](#) [V71271510000G](#) [V71371510000G](#)
[V71471510000G](#) [V71571510000G](#) [V71671510000G](#) [V71771510000G](#) [V71871510000G](#) [V71971510000G](#)
[V72071510000G](#) [V72171510000G](#) [V72271510000G](#) [V72371510000G](#) [V72471510000G](#)