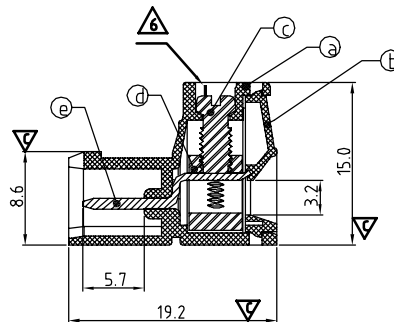
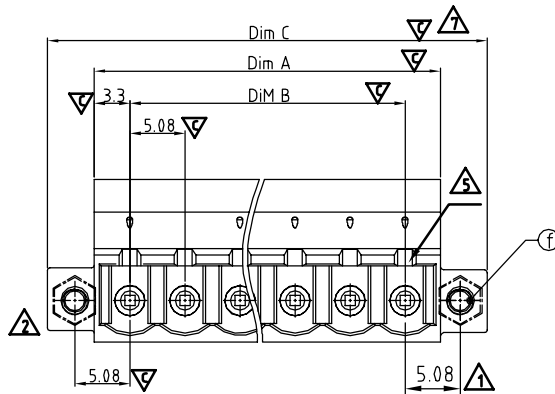


DIMENSION

Dim A	$(N-1) \times 5.08 + 6.58$
Dim B	$(N-1) \times 5.08$
Dim C	$(N+1) \times 5.08 + 5.04$

N = Number of poles

Poles	Tolerance
2p-6p	± 0.15
7p-12p	± 0.20
13p-18p	± 0.30
19p-24p	± 0.40



V8 xx 51 x 1 xxxx G

No. OF POLES
 02 2 CONTACTS
 03 3 CONTACTS

 24 24 CONTACTS

Color
 0 Black (RAL9005)
 2 Red (RAL3001/D)
 3 Orange(RAL2011/P)
 4 Yellow(RAL1018/A)
 5 Green(RAL6018/T)
 6 Blue (RAL5015/A)
 8 Grey(RAL7035/D)

G RoHS compliant (lead-4%)
In copper Alloy
 0000: "@ Logo (Standard)
 000A: "ANYTEK" Mark
 Any special item by customer request, please contact sales department.

SIGN	DATE	DESCRIPTION	APPROVER
⚠	08.10.17	The dimension is changed from 5.2mm to 5.08mm	Seamus
⚠	2009.10.30	The design is changed from the round hole to hexagonal hole.	Seamus
⚠	2009.10.30	The Torque is changed	Jacke
⚠	2010.01.15	Add cULus standard	Jacke
⚠	2010.08.24	The design is changed	Jacke
⚠	2010.08.24	The design is changed	Jacke
⚠	2010.09.27	Add the dimension	Jacke
⚠	07/10`12	Change the material of contact from Brass to Copper	Chen Bo

THIS IS CAD DRAWING, DO NOT REVISE MANUAL Y!!!

Material

- Item Ⓐ Terminal(housing):Thermoplastic (UL94V-0)
- Item Ⓑ Terminal (Cover):Thermoplastic (UL94V-0)
- Item Ⓒ Terminal screw:Steel Zinc plating "-" slot type
- Item Ⓓ Clamp:Brass(CuZn), Ni plating
- Item Ⓔ Male Contact Pin: Copper, Tin plated
- Item Ⓕ Flange nut: Brass M2.5

Electrical

- Voltage rating: 300VAC
- Current rating: 20A
- Wire range:
- Solid wire(AWG): 12-24
- Stranded wire(AWG): 12-24
- Torque: 4Lb-In
- Screw: M3
- Wire strip length: 7-8mm
- Withstanding Voltage: 1.6KV
- Operating temperature: -40°C to +115°C
- Safety Approval: cULus
- Critical dimension: ∇

ANYTEK				CUSTOMER COPY			
ALL RIGHTS RESERVED. REPRODUCTION OR ISSUE TO THIRD PARTIES IN ANY FORM WHATSOEVER IS NOT PERMITTED WITHOUT WRITTEN AUTHORITY FROM THE PROPRIETOR. PROPERTY OF ANYTEK TECHNOLOGY CO., LTD							
TITLE		V8 5.08 Series With flange Nut type					
PART NO.		V8xx51x1xxxxG			DWG NO.		8V80302
APPROVED		CHECKED		DESIGNED		DRAWN	
		Chen Bo 07/10`12		Chen Bo 07/10`12		CUST NO.	
						Tolerance	
						X. ±0.50	
						X.X ±0.30	
						X.XX ±0.10	
						X° ±1°	
				SHEET: 01/01		REV.: H	

Mouser Electronics

Authorized Distributor

Click to View Pricing, Inventory, Delivery & Lifecycle Information:

Amphenol:

[V80251510000G](#) [V80351510000G](#) [V80451510000G](#) [V80551510000G](#) [V80651510000G](#) [V80751510000G](#)
[V80851510000G](#) [V80951510000G](#) [V81051510000G](#) [V81151510000G](#) [V81251510000G](#) [V81351510000G](#)
[V81451510000G](#) [V81551510000G](#) [V81651510000G](#) [V81751510000G](#) [V81851510000G](#) [V81951510000G](#)
[V82051510000G](#) [V82151510000G](#) [V82251510000G](#) [V82351510000G](#) [V82451510000G](#)