



SIGN	DATE	DESCRIPTION	APPROVER
△	03/29'12	Add is cULus	Chen Bo
△	03/29'12	The dimension D & E are added	Chen Bo
△	03/29'12	Flange nut is changed	Chen Bo

Material:

- Item a Terminal(housing): Thermoplastic (UL94V-0)
- Item b Terminal(cover): Thermoplastic (UL94V-0)
- Item c Male contact pin of short: Copper Tin plated
- Item d With flange nut: Brass M2.5

Electrical:

- Voltage rating: 300V
- Current rating: 12A
- Withstanding Voltage: 1.6KV
- Operating temperature: -40°C to +115°C
- Soldering temperature: 250°C ±10°C/5 Sec
- Safety Approval: 
- Critical dimension: 

KE xx 5 2 x 3 xxxx G

No. OF POLES

- 04: 2x2 POLES
- 06: 2x3 POLES
- 48: 2x24 POLES

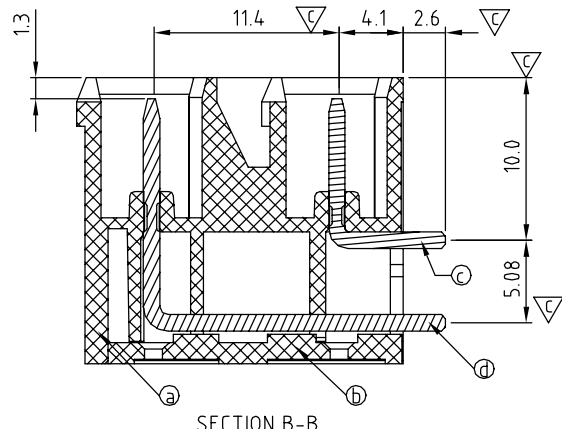
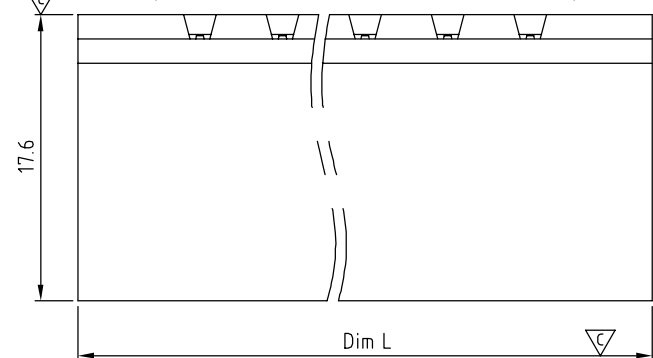
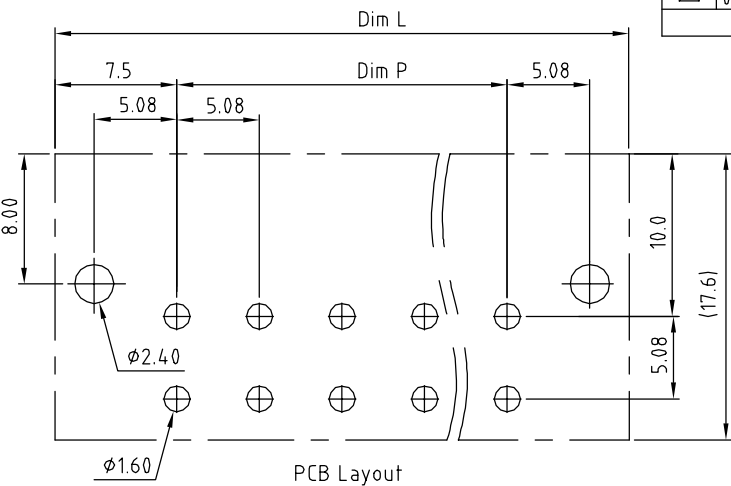
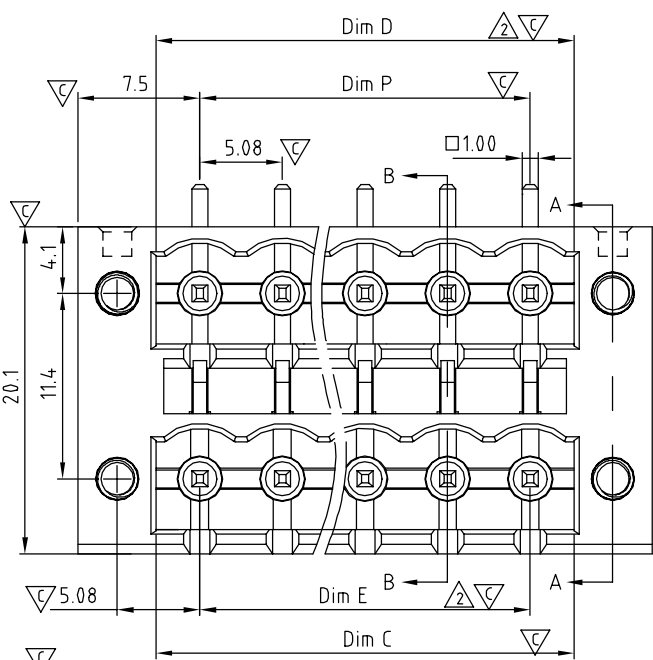
COLOR

- 0 Black (RAL9005)
- 2 Red (RAL3001/D)
- 3 Orange(RAL2011/P)
- 4 Yellow(RAL1018/A)
- 5 Green(RAL6018/T)
- 6 Blue (RAL5015/A)
- 8 Grey(RAL7035/D)
- 9 White(RAL1102)
- C Green(RAL6018/U)

G RoHS compliant (lead<4%) In copper Alloy

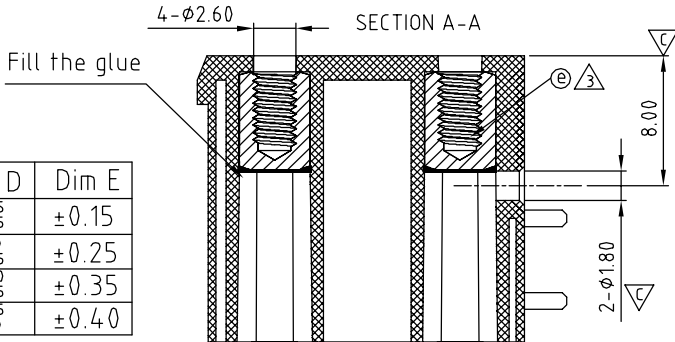
0000: "@ " Logo (Standard)  
000A: "ANYTEK" Mark

Any special item by customer request. please contact sales department.



N = Number of poles  
 Dim L=(N+1)×5.08+4.84  
 Dim P=(N-1)×5.08  
 Dim C=(N-1)×5.08+5.4  
 Dim D=(N-1)×5.08+5.4  
 Dim E=(N-1)×5.08

Poles	Dim L	Dim P	Dim C	Dim D	Dim E
2x2-2x6p	±0.15	±0.15	+0.05 -0.05	+0.05 -0.05	±0.15
2x7-2x12p	±0.25	±0.25	+0.10 -0.05	+0.10 -0.05	±0.25
2x13-2x18p	±0.35	±0.35	+0.20 -0.05	+0.20 -0.05	±0.35
2x19-2x24p	±0.40	±0.40	+0.25 -0.10	+0.25 -0.10	±0.40



<b>ANYTEK</b>		<b>CUSTOMER COPY</b>		ALL RIGHTS RESERVED. REPRODUCTION OR ISSUE TO THIRD PARTIES IN ANY FORM WHATEVER IS NOT PERMITTED WITHOUT WRITTEN AUTHORITY FROM THE PROPRIETOR. PROPERTY OF ANYTEK TECHNOLOGY CO., LTD	
TITLE KE 5.08mm With Flange Series (Right angle) DIP TYPE					
PART NO. KExx52x3xxxxG			DWG NO. 8KE0209		
APPROVED	CHECKED	DESIGNED	DRAWN	CUST NO.	Tolerance
		Chen Bo 03/29'12	Chen Bo 03/29'12		X. ±0.50 X.X ±0.30 X.XX ±0.10 X° ±1°
				UNIT: mm	
				SCALE: NONE	
SHEET: 01/01				REV.: C	

# Mouser Electronics

Authorized Distributor

Click to View Pricing, Inventory, Delivery & Lifecycle Information:

## Amphenol:

[KE0452530000G](#) [KE0652530000G](#) [KE0852530000G](#) [KE1052530000G](#) [KE1252530000G](#) [KE1452530000G](#)  
[KE1652530000G](#) [KE1852530000G](#) [KE2052530000G](#) [KE2252530000G](#) [KE2452530000G](#) [KE2652530000G](#)  
[KE2852530000G](#) [KE3052530000G](#) [KE3252530000G](#) [KE3452530000G](#) [KE3652530000G](#) [KE3852530000G](#)  
[KE4052530000G](#) [KE4252530000G](#) [KE4452530000G](#) [KE4652530000G](#) [KE4852530000G](#)