


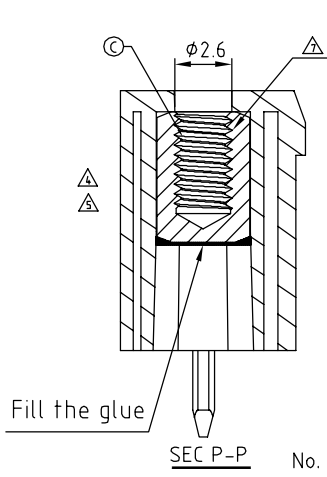
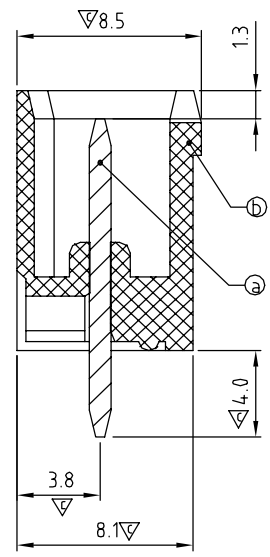
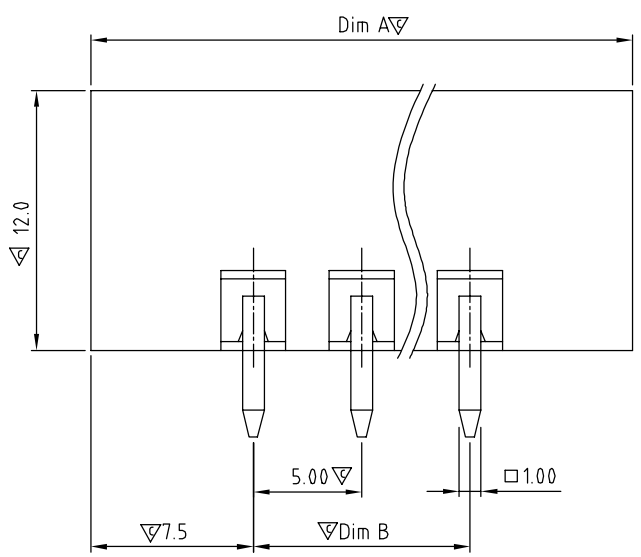
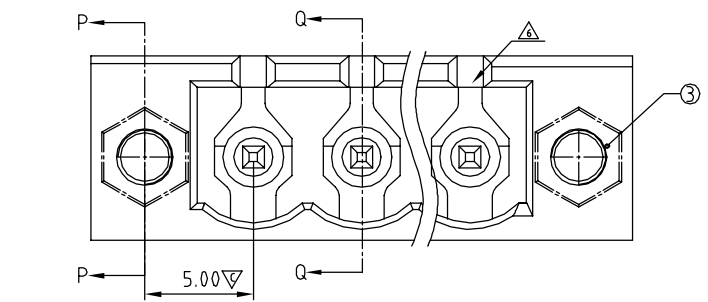
| SIGN | DATE | DESCRIPTION | APPROVER |
|------|------------|--|----------|
| △ | 8/16'06 | Added VDE and TUV standard | Steady |
| △ | 8/16'06 | Current rating (cULus) changed from 10A to 20A | Steady |
| △ | 1/19'07 | Soldering temperature changed from 245° to 250° | Tony |
| △ | 5/28'08 | Body flange is changed | Marvin |
| △ | 2009.9.03 | The design is changed from the round hole to hexagonal hole. | Jacke |
| △ | 2010.05.29 | The design is changed | Jacke |
| △ | 11/21'11 | Flange nut is changed | ChenMing |

THIS IS CAD DRAWING, DO NOT REVISE MANUALLY!!!

Material:

- Item ③ Contact pin: Copper Tin plated
- Item ④ Terminal(housing): Thermoplastic (UL94V-0)
- Item ⑤ With flange nut: Brass M2.5

- △ Electrical: cULus /VDE /TUV
- Voltage rating: 300V/300V/300V
 - Current rating: 20A/20A/20A
 - Withstanding Voltage: 1.6 KV/2.5KV/2.5KV
 - Operating temperature: -40°C to +115°C
 - Soldering temperature: 260°C±5°C/5 Sec
 - Safety Approval: 
 - Critical dimension: ▽



OQ xx 7 5 x 0 xxxx G

No. OF POLES
02: 2 POLES
:
24: 24 POLES

COLOR
0 Black (RAL9005)
2 Red (RAL3001/D)
3 Orange(RAL2011/P)
4 Yellow(RAL1018/A)
5 Green(RAL6018/T)
6 Blue (RAL5015/A)
8 Grey(RAL7035/D)

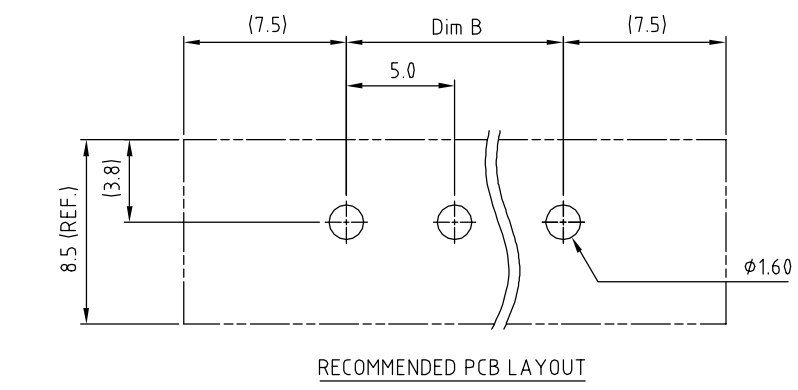
G: Pb<40000ppm
0000: "@ " Logo
000A: "ANYTEK" Logo
Any special item by customer request. please contact sales department.

DIMENSION

| | |
|---|-----------|
| A | (N+2)×5.0 |
| B | (N-1)×5.0 |

N= NUMBER OF CONCATS

| Poles | Tolerance |
|---------|-----------|
| 2P-6P | ±0.15 |
| 7P-12P | ±0.20 |
| 13P-18P | ±0.25 |
| 19P-24P | ±0.30 |



| | | | | | | | |
|---|--|--------------------------------------|----------|------------------------|----------|------------------------------------|---|
| ANYTEK | | | | CUSTOMER COPY | | | |
| ALL RIGHTS RESERVED. REPRODUCTION OR ISSUE TO THIRD PARTIES IN ANY FORM WHATSOEVER IS NOT PERMITTED WITHOUT WRITTEN AUTHORITY FROM THE PROPRIETOR. PROPERTY OF ANYTEK TECHNOLOGY CO., LTD | | | | | | | |
| TITLE | | OQ 5.0mm 180° W/Flange Series 2p-24p | | | | | |
| PART NO. | | OQxx75x0xxxxG | | DWG NO. | | 80Q0505 | |
| APPROVED | | CHECKED | DESIGNED | DRAWN | CUST NO. | | Tolerance |
| | | | | ChenMing 2011.11.21 | | | X. ±0.50 X.X ±0.30 X.XX ±0.10 X° ±1° |
| | | | | SHEET: 01/01 | | UNIT: mm SCALE: NONE REV.: K | |

Mouser Electronics

Authorized Distributor

Click to View Pricing, Inventory, Delivery & Lifecycle Information:

Amphenol:

[OQ0275500000G](#) [OQ0375500000G](#) [OQ0475500000G](#) [OQ0575500000G](#) [OQ0675500000G](#) [OQ0775500000G](#)
[OQ0875500000G](#) [OQ0975500000G](#) [OQ1075500000G](#) [OQ1175500000G](#) [OQ1275500000G](#) [OQ1375500000G](#)
[OQ1475500000G](#) [OQ1575500000G](#) [OQ1675500000G](#) [OQ1775500000G](#) [OQ1875500000G](#) [OQ1975500000G](#)
[OQ2075500000G](#) [OQ2175500000G](#) [OQ2275500000G](#) [OQ2375500000G](#) [OQ2475500000G](#) [OQ0575000000G](#)
[OQ0675800000G](#) [OQ0575800000G](#) [OQ0775800000G](#) [OQ0675000000G](#) [OQ0975800000G](#) [OQ0375000000G](#)
[OQ1775000000G](#) [OQ1975800000G](#) [OQ0375800000G](#) [OQ0475000000G](#) [OQ2175000000G](#) [OQ2475000000G](#)
[OQ1275800000G](#) [OQ1375800000G](#) [OQ0275800000G](#) [OQ0275000000G](#) [OQ0475800000G](#) [OQ2275800000G](#)
[OQ2375800000G](#) [OQ2475800000G](#) [OQ2175800000G](#) [OQ2375000000G](#) [OQ1975000000G](#) [OQ1875000000G](#)
[OQ1875800000G](#) [OQ2075800000G](#) [OQ2275000000G](#) [OQ2075000000G](#) [OQ1575000000G](#) [OQ1675800000G](#)
[OQ1475000000G](#) [OQ1575800000G](#) [OQ1675000000G](#) [OQ1775800000G](#) [OQ1275000000G](#) [OQ1375000000G](#)
[OQ1475800000G](#) [OQ1175800000G](#) [OQ0775000000G](#) [OQ0875000000G](#) [OQ1175000000G](#) [OQ0975000000G](#)
[OQ0875800000G](#) [OQ1075000000G](#) [OQ1075800000G](#)