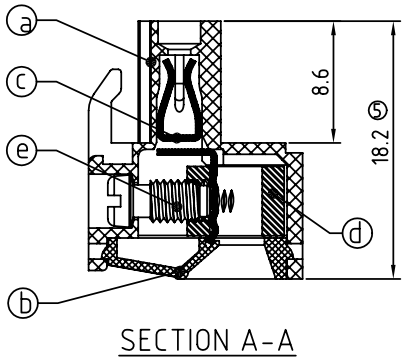
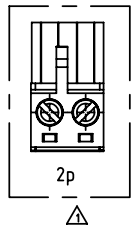
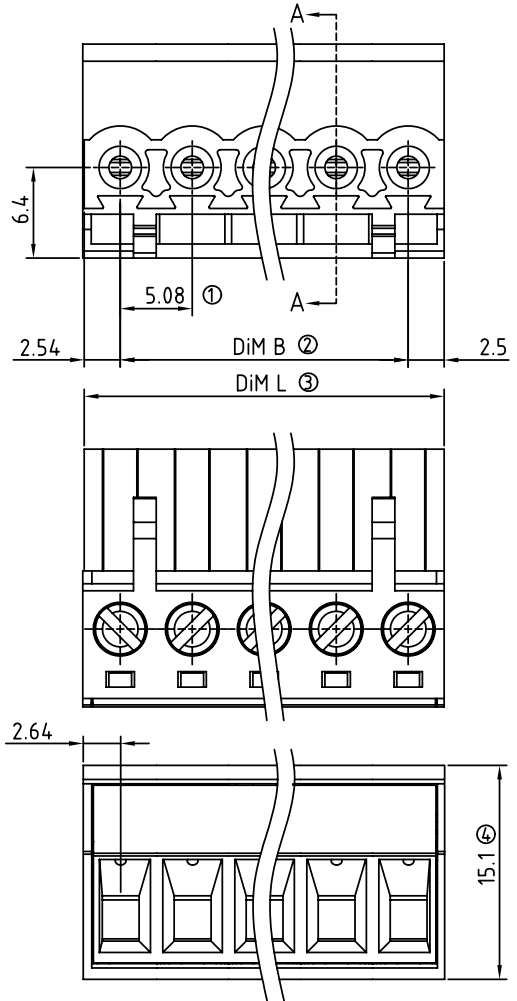


SIGN	DATE	DESCRIPTION	APPROVER
△	2010.03.08	Add the 2P mark	Jacke

*THIS IS CAD DRAWING, DO NOT REVISE MANUALLY!!!*



**Material**

- Item a Terminal body: Thermoplastic ( UL94V-0 )
- Item b Terminal cover: Thermoplastic ( UL94V-0 )
- Item c Female contact: PhBz ( CuSn ) Tin plated
- Item d Clamp: Brass, Ni plated
- Item e Terminal screw: Steel Zinc plating "-" slot type

**Electrical**                      cULus

- Voltage rating: 300V
- Current rating: 20A
- Solid wire (AWG): 12-24
- Stranded wire (AWG): 12-24
- Torque (Lb-In): 5
- Screw: M3
- Wire strip length: 7-8mm
- Withstanding Voltage: 1.6KV
- Operating temperature: -40°C to +115°C
- Safety Approval: **cULus**

**TJ xx 51 x 6 xxxx G**

02	2 CONTACTS	0	Black (RAL9005)	0000	Standard @ Logo	RoHS
03	3 CONTACTS	2	Red (RAL3001/D)	000A	Standard ANY Logo	Pb<40,000ppm
...	...	3	Orange (RAL2011/P)	any special item by		
24	24 CONTACTS	4	Yellow (RAL1018/A)	customer request,		
		5	Green (RAL6018/T)	please contact sales		
		6	Blue (RAL5015/A)	department.		
		8	Grey (RAL7035/D)			

Poles	02	03	04	05	06	07	08	09	10	11	12	13
Dim L	10.16	15.24	20.32	25.40	30.48	35.56	40.64	45.72	50.80	55.88	60.96	66.04
Dim B	5.08	10.16	15.24	20.32	25.40	30.48	35.56	40.64	45.72	50.80	55.88	60.96
TOL	±0.15				±0.20				±0.25			
Poles	14	15	16	17	18	19	20	21	22	23	24	
Dim L	71.12	76.20	81.28	86.36	91.44	96.52	101.60	106.68	111.76	116.84	121.92	
Dim B	66.04	71.12	76.20	81.28	86.36	91.44	96.52	101.60	106.68	111.76	116.84	
TOL	±0.25			±0.30			±0.40					

ANYTEK

**CUSTOMER COPY**

ALL RIGHTS RESERVED. REPRODUCTION OR ISSUE TO THIRD PARTIES IN ANY FORM WHATSOEVER IS NOT PERMITTED WITHOUT WRITTEN AUTHORITY FROM THE PROPRIETOR. PROPERTY OF ANYTEK TECHNOLOGY CO., LTD

TITLE		TJ 5.08 Series Without flange contact on up side					
PART NO.		TJxx51x6xxxxG			DWG NO.		8TJ0A01
APPROVED	CHECKED	DESIGNED	DRAWN	CUST NO.		Tolerance	
		Jacke 2010.03.09	Jacke 2010.03.09			X.    ±0.50	
						X.X   ±0.30	
						X.XX ±0.10	
						X°    ±1°	
						UNIT: mm	
						SCALE: NONE	
						REV.: C	
				SHEET: 01/01			

# Mouser Electronics

Authorized Distributor

Click to View Pricing, Inventory, Delivery & Lifecycle Information:

## Amphenol:

<a href="#"><u>TJ0451060000G</u></a>	<a href="#"><u>TJ0251560000G</u></a>	<a href="#"><u>TJ0351560000G</u></a>	<a href="#"><u>TJ0451560000G</u></a>	<a href="#"><u>TJ0551560000G</u></a>	<a href="#"><u>TJ0651560000G</u></a>
<a href="#"><u>TJ0751560000G</u></a>	<a href="#"><u>TJ0851560000G</u></a>	<a href="#"><u>TJ0951560000G</u></a>	<a href="#"><u>TJ1051560000G</u></a>	<a href="#"><u>TJ1151560000G</u></a>	<a href="#"><u>TJ1251560000G</u></a>
<a href="#"><u>TJ1351560000G</u></a>	<a href="#"><u>TJ1451560000G</u></a>	<a href="#"><u>TJ1551560000G</u></a>	<a href="#"><u>TJ1651560000G</u></a>	<a href="#"><u>TJ1751560000G</u></a>	<a href="#"><u>TJ1851560000G</u></a>
<a href="#"><u>TJ1951560000G</u></a>	<a href="#"><u>TJ2051560000G</u></a>	<a href="#"><u>TJ2151560000G</u></a>	<a href="#"><u>TJ2251560000G</u></a>	<a href="#"><u>TJ2351560000G</u></a>	<a href="#"><u>TJ2451560000G</u></a>
<a href="#"><u>TJ2451860000G</u></a>	<a href="#"><u>TJ0251060000G</u></a>	<a href="#"><u>TJ0251860000G</u></a>	<a href="#"><u>TJ2051860000G</u></a>	<a href="#"><u>TJ1751860000G</u></a>	<a href="#"><u>TJ2251060000G</u></a>
<a href="#"><u>TJ2451060000G</u></a>	<a href="#"><u>TJ0351860000G</u></a>	<a href="#"><u>TJ1851860000G</u></a>	<a href="#"><u>TJ2351860000G</u></a>	<a href="#"><u>TJ1151860000G</u></a>	<a href="#"><u>TJ2151060000G</u></a>
<a href="#"><u>TJ1951860000G</u></a>	<a href="#"><u>TJ1951060000G</u></a>	<a href="#"><u>TJ2151860000G</u></a>	<a href="#"><u>TJ2351060000G</u></a>	<a href="#"><u>TJ1651060000G</u></a>	<a href="#"><u>TJ0251260000G</u></a>
<a href="#"><u>TJ2251860000G</u></a>	<a href="#"><u>TJ0351060000G</u></a>	<a href="#"><u>TJ0451860000G</u></a>	<a href="#"><u>TJ1251860000G</u></a>	<a href="#"><u>TJ1651860000G</u></a>	<a href="#"><u>TJ2051060000G</u></a>
<a href="#"><u>TJ0551860000G</u></a>	<a href="#"><u>TJ0751060000G</u></a>	<a href="#"><u>TJ0651060000G</u></a>	<a href="#"><u>TJ1051060000G</u></a>	<a href="#"><u>TJ1051860000G</u></a>	<a href="#"><u>TJ0751860000G</u></a>
<a href="#"><u>TJ0851860000G</u></a>	<a href="#"><u>TJ0651860000G</u></a>	<a href="#"><u>TJ0551060000G</u></a>	<a href="#"><u>TJ1451860000G</u></a>	<a href="#"><u>TJ1551860000G</u></a>	<a href="#"><u>TJ0851060000G</u></a>
<a href="#"><u>TJ0951060000G</u></a>	<a href="#"><u>TJ0951860000G</u></a>	<a href="#"><u>TJ1351060000G</u></a>	<a href="#"><u>TJ1251060000G</u></a>	<a href="#"><u>TJ1551060000G</u></a>	<a href="#"><u>TJ1751060000G</u></a>
<a href="#"><u>TJ1851060000G</u></a>	<a href="#"><u>TJ1151060000G</u></a>	<a href="#"><u>TJ1351860000G</u></a>	<a href="#"><u>TJ1451060000G</u></a>		