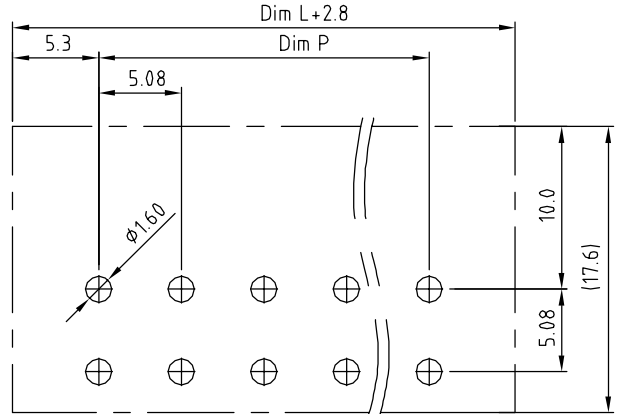
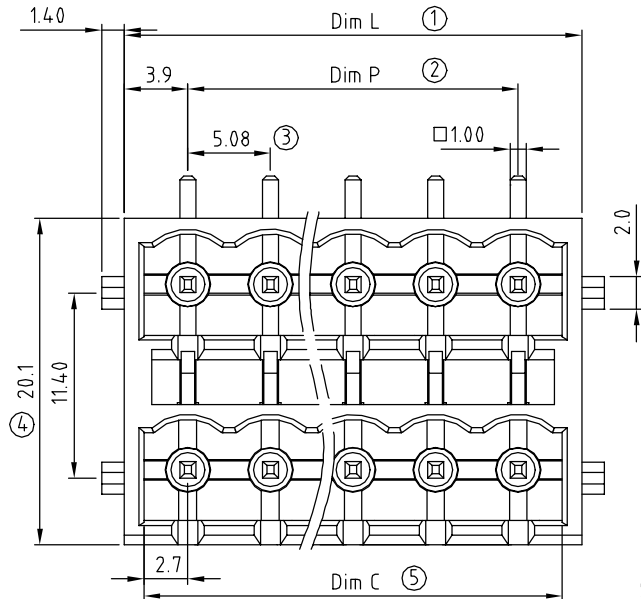
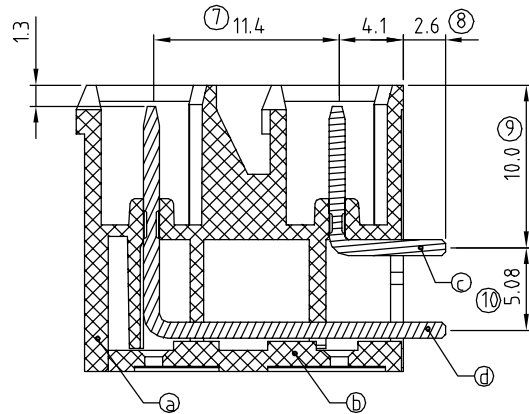
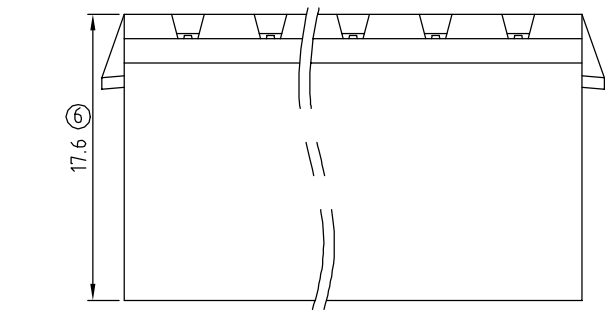


| SIGN   | DATE     | DESCRIPTION  | APPROVER |
|--|----------|--------------|----------|
| △  | 04/28'11 | Add is cULus | Aaron    |
| THIS IS CAD DRAWING, DO NOT REVISE MANUALLY!!! |          |              |          |



PCB Layout



- Material:
- Item a Terminal(housing): Thermoplastic (UL94V-0)
  - Item b Terminal(cover): Thermoplastic (UL94V-0)
  - Item c Male contact pin of short: Copper Tin plated
  - Item d Male contact pin of long: Copper Tin plated

- Electrical: cULus
- Voltage rating: 300V
  - Current rating: 12A
  - Withstanding Voltage: 1.6KV
  - Operating temperature: -40°C to +115°C
  - Soldering temperature: 250°C ±10°C/5 Sec
  - △ ● Safety Approval:

**KE xx 5 3 x 3 xxxx G**

- No. OF POLES
- 04: 2x2 POLES
  - 06: 2x3 POLES
  - ...
  - 48: 2x24 POLES
- COLOR
- 0 Black (RAL9005)
  - 2 Red (RAL3001/D)
  - 3 Orange(RAL2011/P)
  - 4 Yellow(RAL1018/A)
  - 5 Green(RAL6018/T)
  - 6 Blue (RAL5015/A)
  - 8 Grey(RAL7035/D)
  - 9 White(RAL1102)
  - C Green(RAL6018/U)
- G: Pb<40000ppm
- 0000: "@ Logo (Standard)
- 000A: "ANYTEK" Mark
- Any special item by customer request. please contact sales department.

| Poles      | Dim L | Dim P | Dim C          |
|------------|-------|-------|----------------|
| 2x2-2x6p   | ±0.15 | ±0.15 | +0.05<br>-0.05 |
| 2x7-2x12p  | ±0.25 | ±0.25 | +0.10<br>-0.05 |
| 2x13-2x18p | ±0.35 | ±0.35 | +0.20<br>-0.05 |
| 2x19-2x24p | ±0.40 | ±0.40 | +0.25<br>-0.10 |

N = Number of poles  
 Dim L = N x 5.08 + 2.72  
 Dim P = (N - 1) x 5.08  
 Dim C = (N - 1) x 5.08 + 5.4

|   |  |   |                     |                      |          |             |   |
|---|--|---|---------------------|----------------------|----------|-------------|---|
| <b>ANYTEK</b>   |  |   |                     | <b>CUSTOMER COPY</b> |          |             |   |
| ALL RIGHTS RESERVED. REPRODUCTION OR ISSUE TO THIRD PARTIES IN ANY FORM WHATSOEVER IS NOT PERMITTED WITHOUT WRITTEN AUTHORITY FROM THE PROPRIETOR. PROPERTY OF ANYTEK TECHNOLOGY CO., LTD |  |   |                     |                      |          |             |   |
| TITLE   |  | KE 5.08mm With latch holder Series (Right angle) DIP TYPE |                     |                      |          |             |   |
| PART NO.  |  | KExx53x3xxxxG   |                     |                      | DWG NO.  |             | 8KE0211                                       |
| APPROVED  |  | CHECKED   | DESIGNED            | DRAWN                | CUST NO. |             | Tolerance                                     |
|   |  |   | Jacke<br>2010.09.28 | Jacke<br>2009.08.26  |          |             | X. ±0.50<br>X.X ±0.30<br>X.XX ±0.10<br>X° ±1° |
|   |  |   |                     |                      |          | UNIT: mm    |   |
|   |  |   |                     | SHEET: 01/01         |          | SCALE: NONE |   |
|   |  |   |                     |                      |          | REV.: B     |   |

# Mouser Electronics

Authorized Distributor

Click to View Pricing, Inventory, Delivery & Lifecycle Information:

## Amphenol:

[KE0453530000G](#) [KE0653530000G](#) [KE0853530000G](#) [KE1053530000G](#) [KE1253530000G](#) [KE1453530000G](#)  
[KE1653530000G](#) [KE1853530000G](#) [KE2053530000G](#) [KE2253530000G](#) [KE2453530000G](#) [KE2653530000G](#)  
[KE2853530000G](#) [KE3053530000G](#) [KE3253530000G](#) [KE3453530000G](#) [KE3653530000G](#) [KE3853530000G](#)  
[KE4053530000G](#) [KE4253530000G](#) [KE4453530000G](#) [KE4653530000G](#) [KE4853530000G](#)