

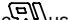


SIGN	DATE	DESCRIPTION	APPROVER
△	11.01'05	Standard spec is changed.	Marivn
△	8/07'06	Added VDE and TUV standard	梁仁松
△	2010.03.12	Add the 2p mark	Jacke

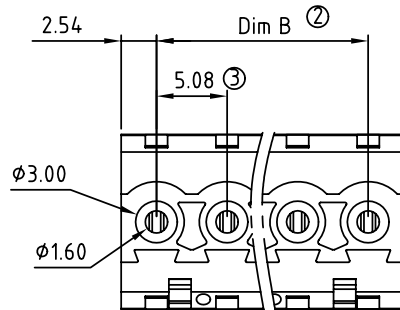
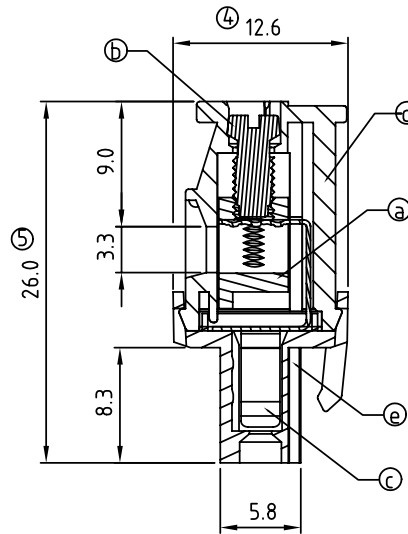
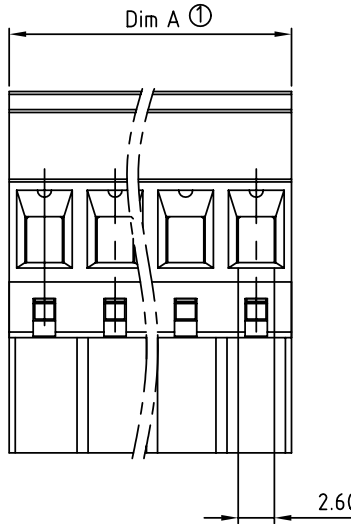
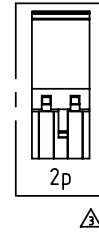
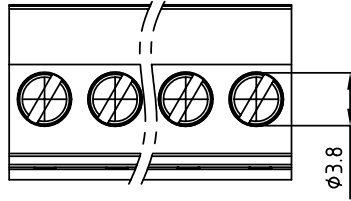
THIS IS CAD DRAWING, DO NOT REVISE MANUALLY!!!

**Material**

- Item ① Clamp: Brass(CuZn), Ni plating
- Item ② Terminal screw: Steel Cr3+ Zinc plating "-" slot type
- Item ③ Female contact: PhBz, Tin plated
- Item ④ Terminal up body: PA66 (UL94V-0)
- Item ⑤ Terminal down body: PA66 (UL94V-0)

△ △ Electrical cULus/VDE/TUV

- Voltage rating: 300VAC/300VAC/300VAC
- Current rating: 15A/17A/15A
- Wire range: 2.5mm<sup>2</sup> /0.34-2.5mm<sup>2</sup>
- Solid wire(AWG): 12-24
- Stranded wire(AWG): 12-24
- Torque: 3.5Lb-In./0.5Nm/0.4Nm
- Screw: M3
- Wire strip length: 6-7mm
- Withstanding Voltage: 1.6KV/2.5KV/2.5KV
- Operating temperature: -40°C to +115°C
- Safety approval:   



N = Number of poles  
 Dim A = N x 5.08  
 Dim B = (N-1) x 5.08

	Dim A	Dim B
2-6p	±0.15	±0.15
7-12p	±0.20	±0.20
13-18p	±0.30	±0.30
19-24p	±0.40	±0.40

**TS xx 51x B xxxx G**

- |                |                     |                      |              |
|----------------|---------------------|----------------------|--------------|
| 02 2 CONTACTS  | Color               | 0000: "@" Logo       | RoHS         |
| 03 3 CONTACTS  | 0 Black (RAL9005)   | 000A: "ANYTEK" Mark  | Pb<40,000ppm |
| ...            | 2 Red (RAL3001/D)   | 0091: "ANYTEK" Mark  |              |
| 24 24 CONTACTS | 3 Orange(RAL2011/P) | Any special item by  |              |
|                | 4 Yellow(RAL1018/A) | customer request.    |              |
|                | 5 Green(RAL6018/T)  | please contact sales |              |
|                | 6 Blue (RAL5015/A)  | department.          |              |
|                | 8 Grey(RAL7035/D)   |                      |              |

**ANYTEK**

**CUSTOMER COPY**

ALL RIGHTS RESERVED. REPRODUCTION OR ISSUE TO THIRD PARTIES IN ANY FORM WHATSOEVER IS NOT PERMITTED WITHOUT WRITTEN AUTHORITY FROM THE PROPRIETOR. PROPERTY OF ANYTEK TECHNOLOGY CO., LTD

TITLE		TS-5.08mmSeries(W/latching hooks on the back side)					
PART NO.		TSxx51xBxxxxG			DWG NO.		8TS0102
APPROVED		CHECKED	DESIGNED	DRAWN	CUST NO.		Tolerance
			Jacke 2010.03.12	Jacke 2009.11.13			X. ±0.50
							X.X ±0.30
							X.XX ±0.10
							X° ±1°
					SHEET: 01/01		REV.: F

# Mouser Electronics

Authorized Distributor

Click to View Pricing, Inventory, Delivery & Lifecycle Information:

## Amphenol:

[TS04515B0600Y](#) [TS02515B0000G](#) [TS03515B0000G](#) [TS05515B0000G](#) [TS06515B0000G](#) [TS07515B0000G](#)  
[TS08515B0000G](#) [TS09515B0000G](#) [TS10515B0000G](#) [TS11515B0000G](#) [TS12515B0000G](#) [TS13515B0000G](#)  
[TS14515B0000G](#) [TS15515B0000G](#) [TS16515B0000G](#) [TS17515B0000G](#) [TS18515B0000G](#) [TS19515B0000G](#)  
[TS20515B0000G](#) [TS21515B0000G](#) [TS22515B0000G](#) [TS23515B0000G](#) [TS24515B0000G](#) [TS04515B0000G](#)  
[TS11518B0000G](#) [TS15510B0000G](#) [TS19518B0000G](#) [TS13510B0000G](#) [TS14510B0000G](#) [TS08518B0000G](#)  
[TS18510B0000G](#) [TS15518B0000G](#) [TS17518B0000G](#) [TS19510B0000G](#) [TS20518B0000G](#) [TS21510B0000G](#)  
[TS12518B0000G](#) [TS18518B0000G](#) [TS13518B0000G](#) [TS16518B0000G](#) [TS24518B0000G](#) [TS22518B0000G](#)  
[TS24510B0000G](#) [TS12510B0000G](#) [TS22510B0000G](#) [TS23518B0000G](#) [TS16510B0000G](#) [TS17510B0000G](#)  
[TS20510B0000G](#) [TS21518B0000G](#) [TS23510B0000G](#) [TS02514B0000G](#) [TS02516B0000G](#) [TS08510B0000G](#)  
[TS10510B0000G](#) [TS02518B0000G](#) [TS03518B0000G](#) [TS06518B0000G](#) [TS07510B0000G](#) [TS02510B0000G](#)  
[TS03510B0000G](#) [TS06510B0000G](#) [TS09518B0000G](#) [TS04518B0000G](#) [TS05518B0000G](#) [TS07518B0000G](#)  
[TS09510B0000G](#) [TS04510B0000G](#) [TS05510B0000G](#) [TS10518B0000G](#) [TS11510B0000G](#) [TS14518B0000G](#)  
[TS04515B0120G](#)