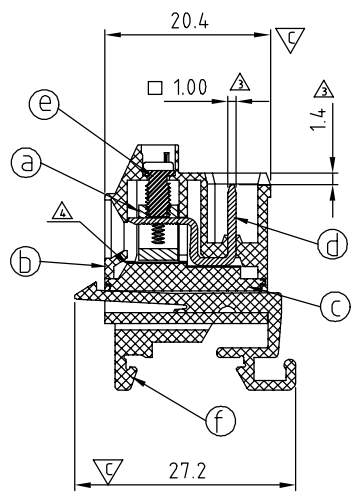
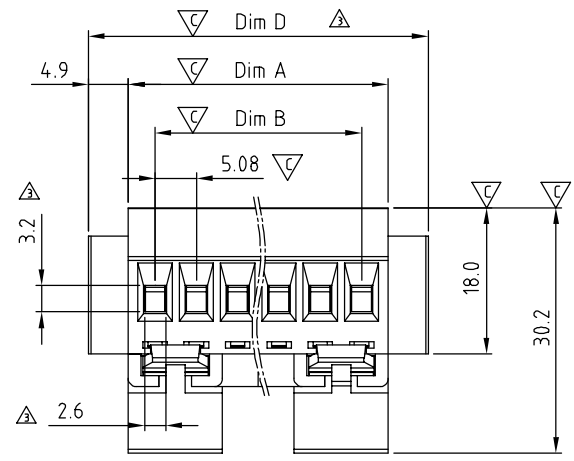


DIMENSION

| | |
|-------|-----------------------------|
| Dim A | $N \times 5.08 + 1.52$ |
| Dim B | $(N-1) \times 5.08$ |
| Dim C | $(N-1) \times 5.08 + 10.16$ |
| Dim D | $N \times 5.08 + 11.32$ |
| Dim E | $(N-1) \times 5.08$ |

N= NUMBER OF CONCATS

| Poles | Tolerance |
|---------|------------|
| 2P-6P | ± 0.20 |
| 7P-12P | ± 0.25 |
| 13P-18P | ± 0.30 |
| 19P-24P | ± 0.40 |



SECTION P-P

| SIGN | DATE | DESCRIPTION | APPROVER |
|------|------------|---|----------|
| △ | 2011.08.18 | Torque(Lb-In) is changed from 5.2(Lb-In) to 4.4(Lb-In) | Aaron |
| △ | 2011.08.18 | Add is cULus | Aaron |
| △ | 2011.08.18 | The dimension are added | Aaron |
| △ | 2012.02.07 | Add the positioning rib on rail slot base to prevent install wrongly. | Aaron |
| △ | 2012.04.09 | Change the structure of nut and add the glue process | Venter |

THIS IS CAD DRAWING, DO NOT REVISE MANUALLY!!

- Material:**
- Item ① Clamp: Brass Ni plated
 - Item ② Terminal(housing): Thermoplastic (UL94V-0)
 - Item ③ Terminal(cover): Thermoplastic (UL94V-0)
 - Item ④ Contact pin : Brass,Tin plated.
 - Item ⑤ Terminal screw: Steel Zinc plating solt "-"type M3
 - Item ⑥ Terminal(track): Thermoplastic (UL94V-0)
 - Item ⑨ With flange nut: Brass M2.5
Electrical: cULus
 - Voltage rating:300V
 - Current rating: 12A
 - Wire range:
 - Solid wire(AWG):12-30
 - Stranded wire(AWG):12-30
 - △ ● Torque(Lb-In): 4.4
 - Screw:M3
 - Wire strip length: 6-7 mm
 - Withstanding Voltage: 1.6KV
 - Operating temperature: -40°C to +115°C
 - △ ● Safety Approval:
 - Critical dimension: ▽

V5 xx 51 x 3 xxxx G

No. OF POLES ————

02 2 CONTACTS

03 3 CONTACTS

... ..

24 24 CONTACTS

Color

0 Black (RAL9005)

5 Green(RAL6018/T)

6 Blue (RAL5015/A)

8 Grey(RAL7035/D)

C Green(RAL6018/U)

G RoHS compliant (lead<4%)
In copper Alloy
0000: "@" Logo (Standard)
000A: "ANYTEK" Mark
Any special item by customer request.
please contact sales

| | | | |
|------------------------|---------|--|----------------------|
| <h1>ANYTEK</h1> | | <h2>CUSTOMER COPY</h2> <p>ALL RIGHTS RESERVED. REPRODUCTION OR ISSUE TO THIRD PARTIES IN ANY FORM WHATEVER IS NOT PERMITTED WITHOUT WRITTEN AUTHORITY FROM THE PROPRIETOR. PROPERTY OF ANYTEK TECHNOLOGY CO. LTD</p> | |
| | | | |
| PART NO. V5xx51x3xxxxG | | DWG NO. 8V50004 | |
| APPROVED | CHECKED | DESIGNED | DRAWN |
| | | Venter 2012.04.09 | Venter 2012.04.09 |
| SHEET: 01/01 | | Tolerance | |
| | | UNIT: mm | X. ±0.50 |
| | | SCALE: NONE | X.X ±0.30 |
| | | REV.: E | X.XX ±0.10 |
| | | | X° ±1° |

Mouser Electronics

Authorized Distributor

Click to View Pricing, Inventory, Delivery & Lifecycle Information:

Amphenol:

[V50251530000G](#) [V50351530000G](#) [V50451530000G](#) [V50551530000G](#) [V50651530000G](#) [V50751530000G](#)
[V50851530000G](#) [V50951530000G](#) [V51051530000G](#) [V51151530000G](#) [V51251530000G](#) [V51351530000G](#)
[V51451530000G](#) [V51551530000G](#) [V51651530000G](#) [V51751530000G](#) [V51851530000G](#) [V51951530000G](#)
[V52051530000G](#) [V52151530000G](#) [V52251530000G](#) [V52351530000G](#) [V52451530000G](#)