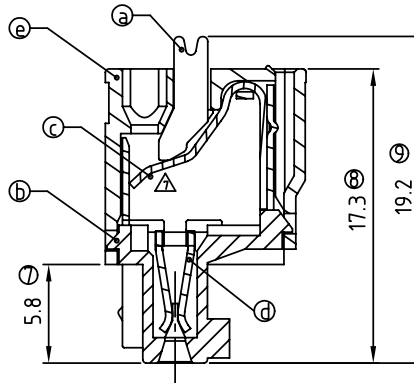
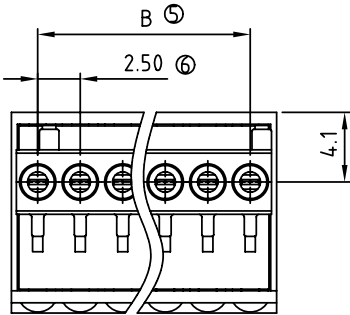
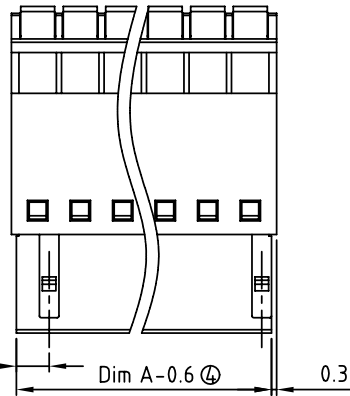
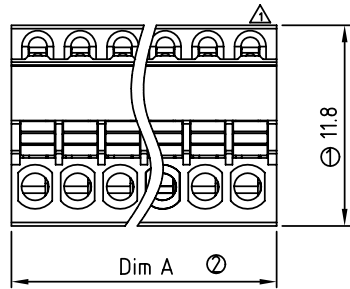


2P mark



SIGN	DATE	DESCRIPTION	APPROVER
△	2009.5.13	The design is changed	Jacke
△	2009.5.13	The voltage rating and withstanding Voltage are changed	Jacke
△	2009.5.13	The Operating temperature is changed	Jacke
△	2009.5.13	Add UL standard	Jacke
△	11/21'09	The normal grey No. changed from RAL7004/P to RAL7035/D	Kind
△	03/17'10	Add the 2P mark	RUNNER
△	05/22'10	Structure changed	RUNNER
△	09/01'10	The design is changed	RUNNER

THIS IS CAD DRAWING, DO NOT REVISE MANUALLY!!!

Material:

- Item ① Insulator(lever): Thermoplastic (UL94V-0)
- Item ② Down Insulator(housing): Thermoplastic (UL94V-0)
- Item ③ Wire guard: Stainless steel
- Item ④ Terminal Body(contact pin): PhBz.Tin plated
- Item ⑤ Up Insulator(housing): Thermoplastic (UL94V-0)

Electrical: cULus

- △ ● Voltage rating: 150V
- Current rating: 4A
- Wire range:
  - Solid wire(AWG): 20-28
  - Stranded wire(AWG): 20-28
- △ ● Wire strip length: 7-8mm
- △ ● Withstanding Voltage: 1.3KV
- △ ● Operating temperature: -40°C to +115°C
- △ ● Safety Approval:

HW xx B 0 x 0 xxxx G

No. OF POLES  
02: 2 POLES  
:  
24: 24 POLES

G: Pb<4000ppm

0000: "@" Logo (Standard)  
000A: "ANYTEK" Mark  
Any special item by customer request.  
please contact sales department.

COLOR  
0: BLACK  
5: GREEN (RAL 6018/T)  
6: BLUE  
△ 8: GREY (RAL 7035/D)

POLE		2	3	4	5	6	7	8	9	10	11	12
A		5.60	8.10	10.60	13.10	15.60	18.10	20.60	23.10	25.60	28.10	30.60
B		2.50	5.00	7.50	10.00	12.50	15.00	17.50	20.00	22.50	25.00	27.50
Tol.		±0.10					±0.15					
POLE	13	14	15	16	17	18	19	20	21	22	23	24
A	33.10	35.60	38.10	40.60	43.10	45.60	48.10	50.60	53.10	55.60	58.10	60.60
B	30.00	32.50	35.00	37.50	40.00	42.50	45.00	47.50	50.00	52.50	55.00	57.50
Tol.		±0.20					±0.30					

**ANYTEK**

**CUSTOMER COPY**

ALL RIGHTS RESERVED. REPRODUCTION OR ISSUE TO THIRD PARTIES IN ANY FORM WHATSOEVER IS NOT PERMITTED WITHOUT WRITTEN AUTHORITY FROM THE PROPRIETOR. PROPERTY OF ANYTEK TECHNOLOGY CO., LTD

TITLE		HW 2.5mm Series										
PART NO.	HWxxB0x0xxxxG						DWG NO.	8HW0301				
APPROVED	CHECKED	DESIGNED	DRAWN	CUST NO.								Tolerance
		Runner 2010.09.01	Jacke 2009.06.04									X. ±0.50
												X.X ±0.30
												X.XX ±0.10
												X° ±1°
				SHEET: 01/01								UNIT: mm
												SCALE: NONE
												REV.: G

# Mouser Electronics

Authorized Distributor

Click to View Pricing, Inventory, Delivery & Lifecycle Information:

## Amphenol:

[HW02B0500000G](#) [HW03B0500000G](#) [HW04B0500000G](#) [HW05B0500000G](#) [HW06B0500000G](#) [HW07B0500000G](#)  
[HW08B0500000G](#) [HW09B0500000G](#) [HW10B0500000G](#) [HW11B0500000G](#) [HW12B0500000G](#) [HW13B0500000G](#)  
[HW14B0500000G](#) [HW15B0500000G](#) [HW16B0500000G](#) [HW17B0500000G](#) [HW18B0500000G](#) [HW19B0500000G](#)  
[HW20B0500000G](#) [HW21B0500000G](#) [HW22B0500000G](#) [HW23B0500000G](#) [HW24B0500000G](#) [HW04B0000000G](#)  
[HW06B0800000G](#) [HW03B0800000G](#) [HW02B0800000G](#) [HW09B0000000G](#) [HW22B0000000G](#) [HW23B0800000G](#)  
[HW21B0000000G](#) [HW21B0800000G](#) [HW20B0000000G](#) [HW24B0800000G](#) [HW20B0800000G](#) [HW11B0800000G](#)  
[HW12B0000000G](#) [HW14B0000000G](#) [HW17B0000000G](#) [HW18B0000000G](#) [HW14B0800000G](#) [HW15B0800000G](#)  
[HW17B0800000G](#) [HW22B0800000G](#) [HW09B0800000G](#) [HW06B0000000G](#) [HW12B0800000G](#) [HW15B0000000G](#)  
[HW18B0800000G](#) [HW23B0000000G](#) [HW19B0800000G](#) [HW24B0000000G](#) [HW07B0800000G](#) [HW04B0800000G](#)  
[HW08B0000000G](#) [HW16B0000000G](#) [HW16B0800000G](#) [HW19B0000000G](#) [HW10B0800000G](#) [HW11B0000000G](#)  
[HW02B0000000G](#) [HW05B0000000G](#) [HW05B0800000G](#) [HW13B0000000G](#) [HW13B0800000G](#) [HW03B0000000G](#)  
[HW10B0000000G](#) [HW07B0000000G](#) [HW08B0800000G](#)