

N = Number of poles
 Dim L = $N \times 2.54 + 1.5$
 Dim P = $(N - 1) \times 2.54$

	Dim A	Dim B
2-6p	± 0.20	± 0.20
6-12p	± 0.25	± 0.25
12-24p	± 0.30	± 0.30

SIGN	DATE	DESCRIPTION	APPROVER
△	11/29'10	Structure changed	Runner
△	08/22'13	Add is cULus // update the drawing	Da cheng

THIS IS CAD DRAWING, DO NOT REVISE MANUALLY!!!

Material:

- Item a :Lever:Thermoplastic (UL94 V-0)
- Item b :Terminal Normal housing: Thermoplastic (UL94 V-0)
- Item c :Solder pin : Brass Tin plated
- Item d :Spring clamp: Stainless steel
- Item e :Terminal cover: Thermoplastic (UL94V-0)
- Item f :Terminal side housing: Thermoplastic (UL94 V-0)

Electrical

- Voltage rating: 150V
- Current rating: 3A
- Wire range:
- Solid wire(AWG): 20-28
- Stranded wire(AWG): 20-28
- Wire strip length: 9-10mm
- Withstanding Voltage: 1.3KV
- Operating temperature: -40°C to +115°C
- Soldering temperature: 260°C±5°C/5 Sec
- Safety Approval:
- Critical dimension: ▽

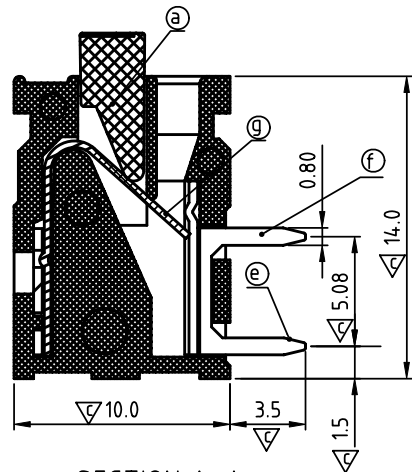
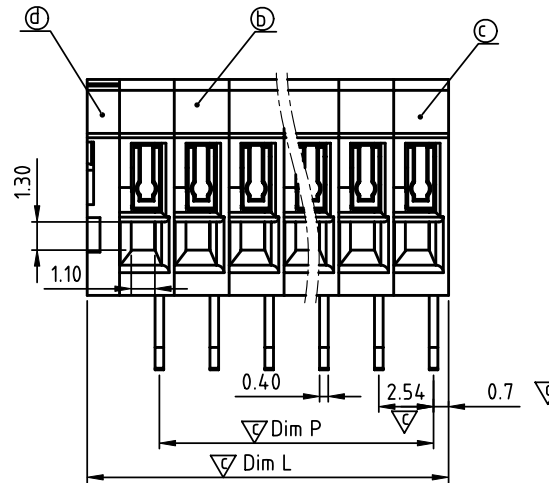
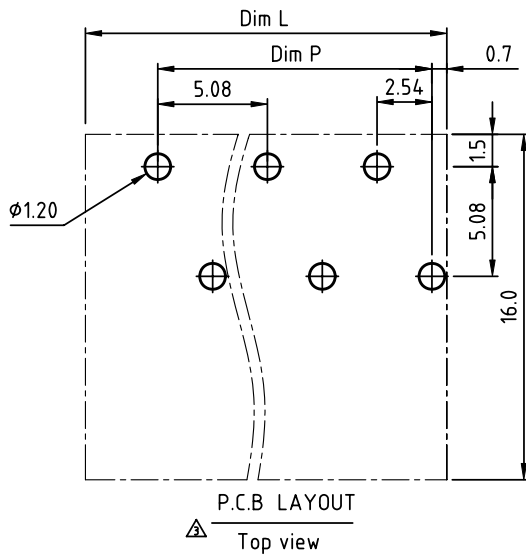
cULus

NA xx 5 1 x 0 xxxx G

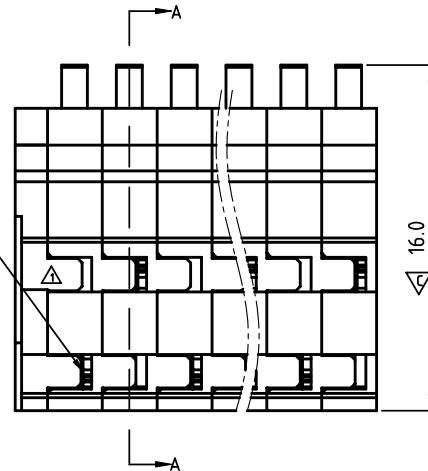
RoHs compliant (lead<4%) in copper Alloy △

No. OF POLES	△ COLOR	0000: "@ " Logo (Standard)
02 2 poles	0 Black (RAL9005)	000A: "ANYTEK" Mark
03 3 poles	2 Red (RAL3001/D)	Any special item by customer request, please contact sales department.
...	3 Orange(RAL2011/P)	
24 24 poles	4 Yellow(RAL1018/A)	
	5 Green(RAL6018/T)	
	6 Blue (RAL5015/A)	
	8 Grey(RAL7004/P)	
	9 White(RAL1102)	
	C Multiple colors	

ANYTEK		CUSTOMER COPY	
ALL RIGHTS RESERVED. REPRODUCTION OR ISSUE TO THIRD PARTIES IN ANY FORM WHATSOEVER IS NOT PERMITTED WITHOUT WRITTEN AUTHORITY FROM THE PROPRIETOR. PROPERTY OF ANYTEK TECHNOLOGY CO., LTD			
TITLE	NA 2.54mm series Double tail A type Horizontal (180D wire inlet)		
PART NO.	NAxx51x0xxxxG	DWG NO.	8NA0103
APPROVED	CHECKED	DESIGNED	DRAWN
		Da cheng 2013.08.22	Da cheng 2013.08.22
SHEET: 01/01		CUST NO.	Tolerance
		UNIT: mm	X. ±0.50
		SCALE: 4/1	X.X ±0.30
		REV.: D	X.XX ±0.10
			X° ±1°



Down contacts pin omit
Top side with cover



N = Number of poles
Dim L = $N \times 2.54 + 1.5$
Dim P = $(N - 1) \times 2.54$

	Dim L	Dim P
2-6p	± 0.20	± 0.20
6-12p	± 0.25	± 0.25
12-24p	± 0.30	± 0.30

SIGN	DATE	DESCRIPTION	APPROVER
△	11/29'10	Structure changed	Runner
△	04/06'11	Add is spec.	Chen Bo
△	08/22'13	Add is cULus // update the drawing	Da cheng

THIS IS CAD DRAWING, DO NOT REVISE MANUALLY!!!

Material:

- Item a :Terminal lever:Thermoplastic (UL94 V-0)
- Item b :Terminal Normal housing: Thermoplastic (UL94 V-0)
- Item c :Terminal side body Thermoplastic (UL94 V-0)
- Item d :Terminal cover: Thermoplastic (UL94 V-0)
- Item e : Down contacts pin omit Top side: Brass Tin plated
- Item f : Top contacts pin omit Down side: Brass Tin plated
- Item g : wire guard: Stainless steel

Electrical cULus

- Voltage rating: 150V
- Current rating: 3A
- Wire range:
- Solid wire(AWG): 20-28
- Stranded wire(AWG): 20-28
- Wire strip length: 9-10mm
- Withstanding Voltage: 1.3KV
- Operating temperature: -40°C to +115°C
- △ ● Soldering temperature: 260°C±5°C/5 Sec
- △ ● Safety Approval:
- △ ● Critical dimension: ▽

NA xx 5 1 x 1 xxxx G

No. OF POLES
02 2 poles
03 3 poles
...
24 24 poles

△ COLOR
0 Black (RAL9005)
2 Red (RAL3001/D)
3 Orange(RAL2011/P)
4 Yellow(RAL1018/A)
5 Green(RAL6018/T)
6 Blue (RAL5015/A)
8 Grey(RAL7004/P)
9 White(RAL1102)
C Multiple colors

RoHS compliant (lead<4%)
In copper Alloy

0000: "@ " Logo (Standard)
000A: "ANYTEK" Mark
Any special item by customer request.
please contact sales department.

ANYTEK

CUSTOMER COPY

ALL RIGHTS RESERVED. REPRODUCTION OR ISSUE TO THIRD PARTIES IN ANY FORM WHATSOEVER IS NOT PERMITTED WITHOUT WRITTEN AUTHORITY FROM THE PROPRIETOR. PROPERTY OF ANYTEK TECHNOLOGY CO., LTD

TITLE		NA 2.54mm series Single tail B type Horizontal (180D wire inlet)				
PART NO.	NAxx51x1xxxxG	DWG NO.	8NA0104			
APPROVED		CHECKED		DESIGNED	Da cheng 2013.08.22	
		DRAWN	Da cheng 2013.08.22	CUST NO.		
					UNIT: mm	X. ±0.50
					SCALE: 4/1	X.X ±0.30
				SHEET: 01/01	REV.: E	X.XX ±0.10
						X° ±1°

Mouser Electronics

Authorized Distributor

Click to View Pricing, Inventory, Delivery & Lifecycle Information:

Amphenol:

[NA0251800000G](#) [NA0251810000G](#) [NA0351800000G](#) [NA0351810000G](#) [NA0451800000G](#) [NA0451810000G](#)
[NA0551800000G](#) [NA0551810000G](#) [NA0651800000G](#) [NA0651810000G](#) [NA0751800000G](#) [NA0751810000G](#)
[NA0851800000G](#) [NA0851810000G](#) [NA0951800000G](#) [NA0951810000G](#) [NA1051800000G](#) [NA1051810000G](#)
[NA1151800000G](#) [NA1151810000G](#) [NA1251800000G](#) [NA1251810000G](#) [NA1351800000G](#) [NA1351810000G](#)
[NA1451800000G](#) [NA1451810000G](#) [NA1551800000G](#) [NA1551810000G](#) [NA1651800000G](#) [NA1651810000G](#)
[NA1751800000G](#) [NA1751810000G](#) [NA1851800000G](#) [NA1851810000G](#) [NA1951800000G](#) [NA1951810000G](#)
[NA2051800000G](#) [NA2051810000G](#) [NA2151800000G](#) [NA2151810000G](#) [NA2251800000G](#) [NA2251810000G](#)
[NA2351800000G](#) [NA2351810000G](#) [NA2451800000G](#) [NA2451810000G](#)