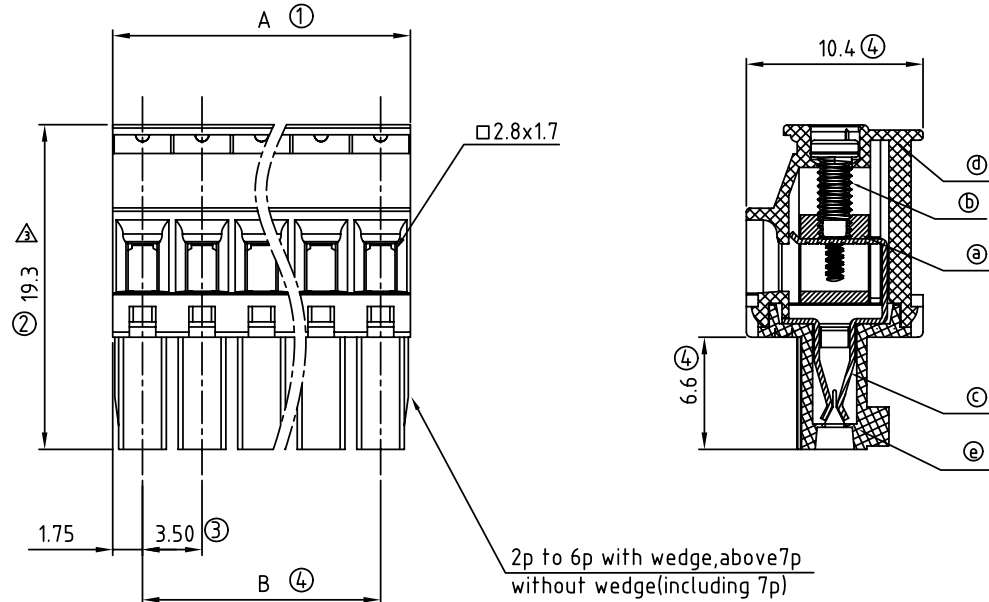
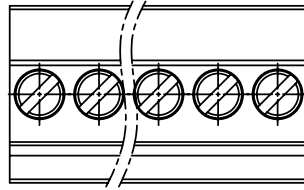


| SIGN | DATE | DESCRIPTION | APPROVER |
|------|------------|---|----------|
| △ | 8/07'06 | Added VDE standard | 梁仁松 |
| △ | 2008.12.02 | The temperature changed from -30°C,+105°C to -40°C,+115°C | Jacke |
| △ | 2008.12.02 | The dimension design changed from 19.1mm to 19.3mm | Jacke |

THIS IS CAD DRAWING, DO NOT REVISE MANUALLY!!!



N = Number of contacts

DIMENSION

| | |
|---|-----------|
| A | NX3.5 |
| B | (N-1)X3.5 |

| Poles | Tolerance |
|---------|-----------|
| 2P-8P | ±0.10 |
| 9P-16P | ±0.20 |
| 17P-24P | ±0.30 |

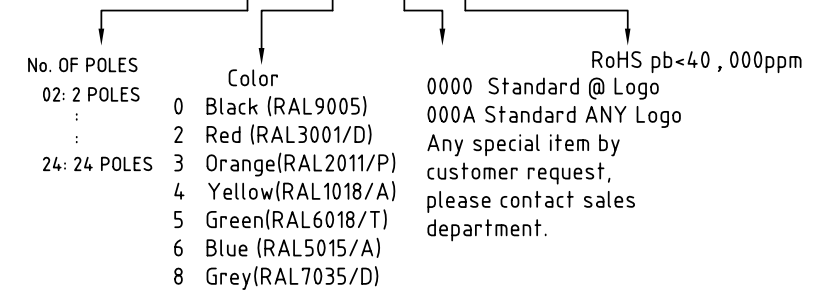
Material

- Item① Clamp: Brass(CuZn),Nickel plated
- Item② Terminal screw: Steel Zinc plating "--" slot type
- Item③ Female contact: PhBz, Tin plated
- Item④ Terminal (housing): Thermoplastic (UL94V-0)
- Item⑤ Terminal (cover): Thermoplastic (UL94V-0)

Electrical cULus/VDE

- Voltage rating: 300VAC/300VAC
- Current rating: 8A/10A
- Wire range: 1.5mm²
- Solid wire(AWG): 16-28
- Stranded wire(AWG): 16-28
- Torque: 1.7Lb-In./0.2Nm
- Screw: M2
- Wire strip length: 6-7mm
- Withstanding Voltage: 1.6KV/2.5KV
- △ ● Operating temperature: -40°C to +115°C
- △ ● Safety approval: cULus VDE

TS xx 1 1 x B xxxx G



ANYTEK

CUSTOMER COPY

ALL RIGHTS RESERVED. REPRODUCTION OR ISSUE TO THIRD PARTIES IN ANY FORM WHATSOEVER IS NOT PERMITTED WITHOUT WRITTEN AUTHORITY FROM THE PROPRIETOR. PROPERTY OF ANYTEK TECHNOLOGY CO., LTD

| | | | | | |
|----------|---------|---|---------------------|-----------------|--|
| TITLE | | TS-3.5mm Series Without flange (for latch on back side) | | | |
| PART NO. | | TSxx11xBxxxxG | | DWG NO. 8TS0202 | |
| APPROVED | CHECKED | DESIGNED | DRAWN | CUST NO. | |
| | | Jacke 2008.12.10 | Jacke 2008.12.10 | | |
| | | | | Tolerance | |
| | | | | X. ±0.50 | |
| | | | | X.X ±0.30 | |
| | | | | X.XX ±0.10 | |
| | | | | X° ±1° | |
| | | | | UNIT: mm | |
| | | | | SCALE: NONE | |
| | | | | SHEET: 01/01 | |
| | | | | REV.: F | |

Mouser Electronics

Authorized Distributor

Click to View Pricing, Inventory, Delivery & Lifecycle Information:

Amphenol:

[TS02115B0000G](#) [TS03115B0000G](#) [TS04115B0000G](#) [TS05115B0000G](#) [TS06115B0000G](#) [TS07115B0000G](#)
[TS08115B0000G](#) [TS09115B0000G](#) [TS10115B0000G](#) [TS11115B0000G](#) [TS12115B0000G](#) [TS13115B0000G](#)
[TS14115B0000G](#) [TS15115B0000G](#) [TS16115B0000G](#) [TS17115B0000G](#) [TS18115B0000G](#) [TS19115B0000G](#)
[TS20115B0000G](#) [TS21115B0000G](#) [TS22115B0000G](#) [TS23115B0000G](#) [TS24115B0000G](#) [TS10118B0000G](#)
[TS02118B0000G](#) [TS02110B0000G](#) [TS11118B0000G](#) [TS06118B0000G](#) [TS07118B0000G](#) [TS04110B0000G](#)
[TS05110B0000G](#) [TS08118B0000G](#) [TS03110B0000G](#) [TS08110B0000G](#) [TS12110B0000G](#) [TS14110B0000G](#)
[TS13110B0000G](#) [TS07110B0000G](#) [TS12118B0000G](#) [TS16110B0000G](#) [TS18118B0000G](#) [TS11110B0000G](#)
[TS15118B0000G](#) [TS06110B0000G](#) [TS09118B0000G](#) [TS17110B0000G](#) [TS20110B0000G](#) [TS21118B0000G](#)
[TS24118B0000G](#) [TS13118B0000G](#) [TS17118B0000G](#) [TS18110B0000G](#) [TS16118B0000G](#) [TS20118B0000G](#)
[TS21110B0000G](#) [TS14118B0000G](#) [TS19118B0000G](#) [TS22118B0000G](#) [TS19110B0000G](#) [TS22110B0000G](#)
[TS23118B0000G](#) [TS24110B0000G](#) [TS03118B0000G](#) [TS04118B0000G](#) [TS05118B0000G](#) [TS09110B0000G](#)
[TS10110B0000G](#) [TS15110B0000G](#) [TS23110B0000G](#)