


SIGN	DATE	DESCRIPTION	APPROVER
△	1/29'07	Dim. L changed	Tony
△	1/29'07	Soldering temperature changed from 245° to 250°	Tony
△	8/1'08	Operating temperature is changed	Marvin
△	2009.09.20	The design is changed	Chen Bo

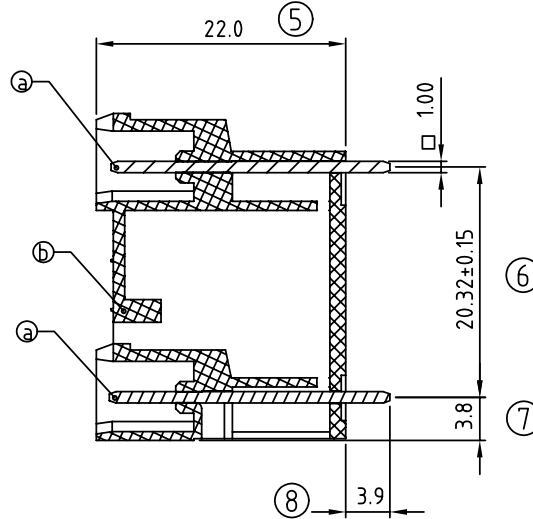
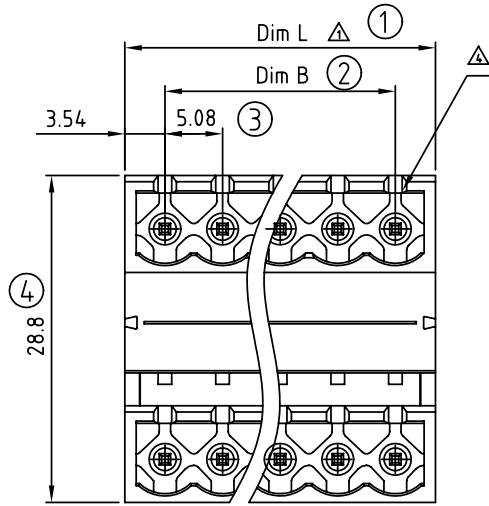
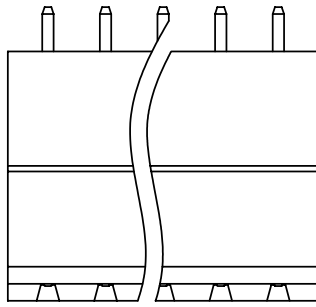
THIS IS CAD DRAWING, DO NOT REVISE MANUALLY!!!

Material:

- Item ④ Male contact pin: Copper Tin plated
- Item ⑤ Terminal(housing): Thermoplastic (UL94V-0)

Electrical: cULus

- Voltage rating: 300V
- Current rating: 20A
- Withstanding Voltage: 1.6 KV
- Operating temperature: -40°C to +115°C
- Soldering temperature: 250°C±10°C/5 Sec
- Safety Approval: 



VL xx 5 1 x 0 xxxx G

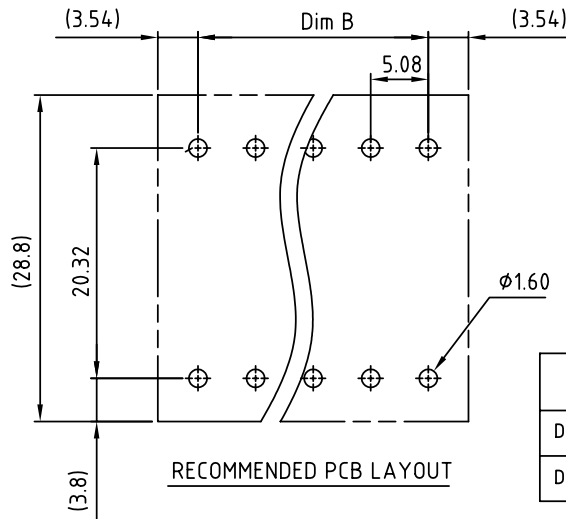
No. OF POLES
04: 2x2 POLES
:
48: 2x24 POLES

COLOR

- 0 Black (RAL9005)
- 2 Red (RAL3001/D)
- 3 Orange(RAL2011/P)
- 4 Yellow(RAL1018/A)
- 5 Green(RAL6018/T)
- 6 Blue (RAL5015/A)
- 8 Grey(RAL7035/D)

G: Pb<40000ppm

0000: "@ " Logo
000A: "ANYTEK" Mark
Any special item by customer request.
please contact sales department.



RECOMMENDED PCB LAYOUT

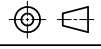
N=NUMBER OF CONTACTS

DIM		TOL			
		2--6P	7--12P	13--18P	19--24P
Dim L	(N-1)×5.08+7.08	±0.15	±0.25	±0.35	±0.40
Dim B	(N-1)×5.08	±0.15	±0.25	±0.35	±0.40

ANYTEK

CUSTOMER COPY

ALL RIGHTS RESERVED. REPRODUCTION OR ISSUE TO THIRD PARTIES IN ANY FORM WHATSOEVER IS NOT PERMITTED WITHOUT WRITTEN AUTHORITY FROM THE PROPRIETOR. PROPERTY OF ANYTEK TECHNOLOGY CO., LTD

TITLE		VL-5.08mm Series 180°			
PART NO.		VLxx51x0xxxxG		DWG NO. 8VL0302	
APPROVED	CHECKED	DESIGNED	DRAWN	CUST NO.	
			Chen Bo 2010.09.20		
				SHEET: 01/01	REV.: F
				UNIT: mm	X. ±0.50
				SCALE: NONE	X.X ±0.30
					X.XX ±0.10
					X° ±1°

Mouser Electronics

Authorized Distributor

Click to View Pricing, Inventory, Delivery & Lifecycle Information:

Amphenol:

[VL0451500000G](#) [VL0651500000G](#) [VL0851500000G](#) [VL1051500000G](#) [VL1251500000G](#) [VL1451500000G](#)
[VL1651500000G](#) [VL1851500000G](#) [VL2051500000G](#) [VL2251500000G](#) [VL2451500000G](#) [VL2651500000G](#)
[VL2851500000G](#) [VL3051500000G](#) [VL3251500000G](#) [VL3451500000G](#) [VL3651500000G](#) [VL3851500000G](#)
[VL4051500000G](#) [VL4251500000G](#) [VL4451500000G](#) [VL4651500000G](#) [VL4851500000G](#)