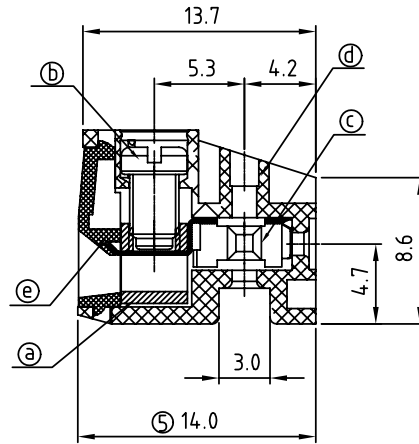
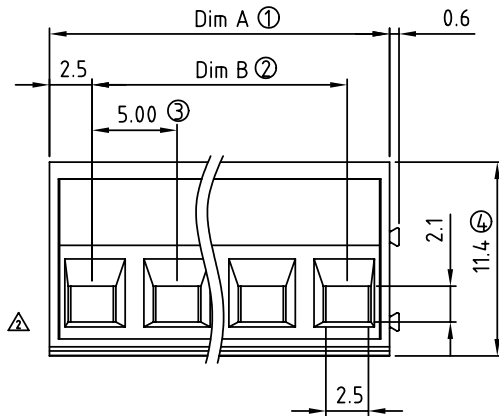
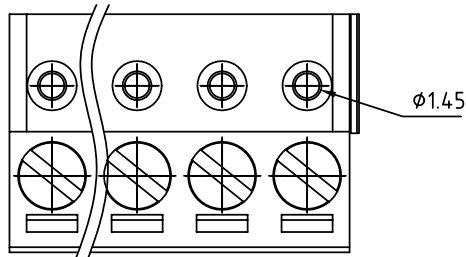


SIGN	DATE	DESCRIPTION	APPROVER
△	6/24'06	Torque standard is changed from 3.5Lb-In to 1.7Lb-In	Marvin
△	10/04'06	The structure is changed	Marvin
△	2009.08.25	Add the tolerance table	Jacke
△	2009.08.25	The Operating temperature is changed	Jacke
△	2009.08.25	Poles are changed from 2-24P to 4-24P.	Jacke

THIS IS CAD DRAWING, DO NOT REVISE MANUALLY!!!



Material

- Item a Clamp: Brass(CuZn) Ni plated
- Item b Terminal screw: Steel Zinc plating "-" slot type
- Item c Female contact: PhBz, Tin or Au plated.
- Item d Terminal (housing): Thermoplastic (UL94V-0)
- Item e Terminal (cover): Thermoplastic (UL94V-0)

Electrical

- Voltage rating: 300VAC
- Current rating: 10A
- Wire range:
- Solid wire(AWG): 16-22
- Stranded wire(AWG): 16-22
- △ ● Torque(Lb-In): 1.7
- Screw: M3
- Wire strip length: 5-6mm
- Withstanding Voltage: 1.6KV
- △ ● Operating temperature: -40°C to +115°C
- Safety Approval: c_{us}

TT xx 01 x 1 xxxx G

Code	Quantity	Color	Material	Standard	Logo	RoHS
△ 04	4 CONTACTS	0 Black (RAL9005)	0000	Standard	@ Logo	RoHS
05	5 CONTACTS	2 Red (RAL3001/D)	000A	Standard	ANY Logo	Pb<40,000ppm
...	...	3 Orange(RAL2011/P)	Any special item by			
24	24 CONTACTS	4 Yellow(RAL1018/A)	customer request,			
		5 Green(RAL6018/T)	please contact sales			
		6 Blue (RAL5015/A)	department.			
		8 Grey(RAL7035/D)				

N = Number of poles
 Dim A=Nx5.0
 Dim B=(N-1)x5.0

	Dim A	Dim B
4-8p	±0.15	±0.15
9-12p	±0.20	±0.20
13-18p	±0.30	±0.30
19-24p	±0.40	±0.40

ANYTEK

CUSTOMER COPY

ALL RIGHTS RESERVED. REPRODUCTION OR ISSUE TO THIRD PARTIES IN ANY FORM WHATSOEVER IS NOT PERMITTED WITHOUT WRITTEN AUTHORITY FROM THE PROPRIETOR. PROPERTY OF ANYTEK TECHNOLOGY CO., LTD

TITLE		TT - 5.0mm Series Solid block			
PART NO.	TTxx01x1xxxxG	DWG NO.	8TT0301		
APPROVED	CHECKED	DESIGNED	DRAWN	CUST NO.	Tolerance
		Jacke 2009.08.25	Jacke 2009.08.25		X. ±0.50
					X.X ±0.30
					X.XX ±0.10
					X° ±1°
				SHEET: 01/01	UNIT: mm
					SCALE: NONE
					REV.: E

Mouser Electronics

Authorized Distributor

Click to View Pricing, Inventory, Delivery & Lifecycle Information:

Amphenol:

[TT0401810000G](#) [TT0501810000G](#) [TT0601810000G](#) [TT0701810000G](#) [TT0801810000G](#) [TT0901810000G](#)
[TT1001810000G](#) [TT1101810000G](#) [TT1201810000G](#) [TT1301810000G](#) [TT1401810000G](#) [TT1501810000G](#)
[TT1601810000G](#) [TT1701810000G](#) [TT1801810000G](#) [TT1901810000G](#) [TT2001810000G](#) [TT2101810000G](#)
[TT2201810000G](#) [TT2301810000G](#) [TT2401810000G](#)