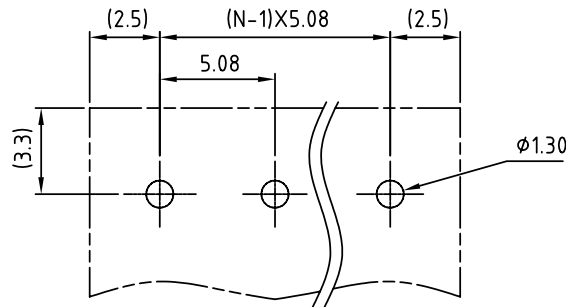
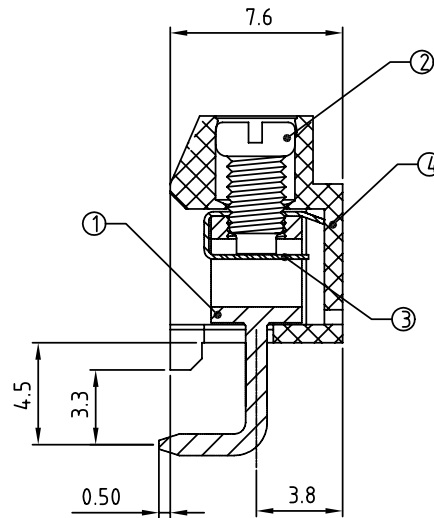
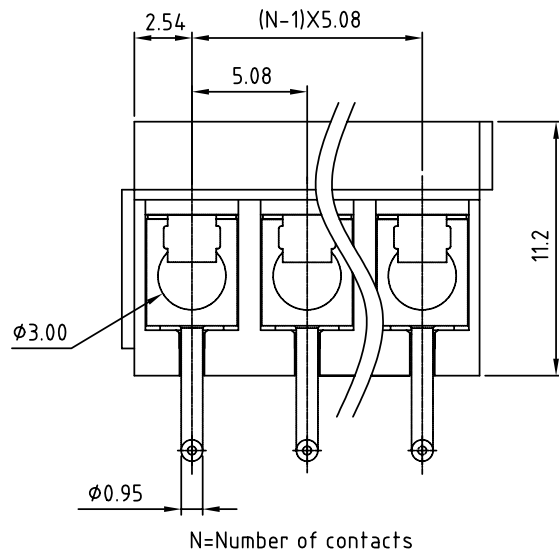
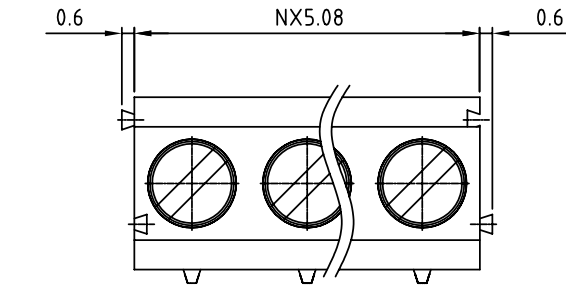


| SIGN | DATE | DESCRIPTION | APPROVER |
|---|----------|--|----------|
| △ | 02/01'07 | Soldering temperature is changed from 245°C to 250°C | Marivn |
| <i>THIS IS CAD DRAWING, DO NOT REVISE MANUALLY!!!</i> | | | |



Material

- Item ① Terminal body(metal housing): Brass(CuZn),Tin plated
- Item ② Terminal screw: Steel Zinc plating "-" slot type
- Item ③ Wire guard: Stainless steel
- Item ④ Insulator (housing): Thermoplastic (UL94V-0)

Electrical

- Voltage rating: 300VAC
- Current rating: 15A
- Wire range:
- Solid wire(AWG): 14-24
- Stranded wire(AWG): 14-24
- Torque(Lb-In): 3.5
- Screw: M2.6
- Wire strip length: 5-6mm
- Withstanding Voltage: 1.6KV
- Operating temperature: -40°C to +115°C
- △ ● Soldering temperature: 250°C±10°C/5 Sec

T9 xx 21 x 0 xxxx G

| | | | | | |
|-----|-------------|---|-------|---------------------------------------|--------------|
| 02 | 2 CONTACTS | 0 | Black | 0000: "@" Logo | RoHS |
| 03 | 3 CONTACTS | 5 | Green | 000A: "ANYTEK" Logo | Pb<40,000ppm |
| ... | ... | 6 | Blue | Any special item by customer request. | |
| 24 | 24 CONTACTS | 8 | Grey | please contact sales department. | |

ANYTEK

CUSTOMER COPY

ALL RIGHTS RESERVED. REPRODUCTION OR ISSUE TO THIRD PARTIES IN ANY FORM WHATSOEVER IS NOT PERMITTED WITHOUT WRITTEN AUTHORITY FROM THE PROPRIETOR. PROPERTY OF ANYTEK TECHNOLOGY CO., LTD

| | | | | | | |
|----------|----------------------|------------------------|----------------------|--------------|--|------------|
| TITLE | | T9 - 5.08mm Series "-" | | | | |
| PART NO. | | T9xx21x0xxxxG | | DWG NO. | | 8T90001 |
| APPROVED | CHECKED | DESIGNED | DRAWN | CUST NO. | | Tolerance |
| | Marvin 2007.04.12 | Marvin 2007.04.12 | Marvin 2007.04.12 | | | X. ±0.50 |
| | | | | | | UNIT: mm |
| | | | | SHEET: 01/01 | | X.XX ±0.10 |
| | | | | REV.: C | | X° ±1° |

Mouser Electronics

Authorized Distributor

Click to View Pricing, Inventory, Delivery & Lifecycle Information:

Amphenol:

[T90221800000G](#) [T90321800000G](#) [T90421800000G](#) [T90521800000G](#) [T90621800000G](#) [T90721800000G](#)
[T90821800000G](#) [T90921800000G](#) [T91021800000G](#) [T91121800000G](#) [T91221800000G](#) [T91321800000G](#)
[T91421800000G](#) [T91521800000G](#) [T91621800000G](#) [T91721800000G](#) [T91821800000G](#) [T91921800000G](#)
[T92021800000G](#) [T92121800000G](#) [T92221800000G](#) [T92321800000G](#) [T92421800000G](#)