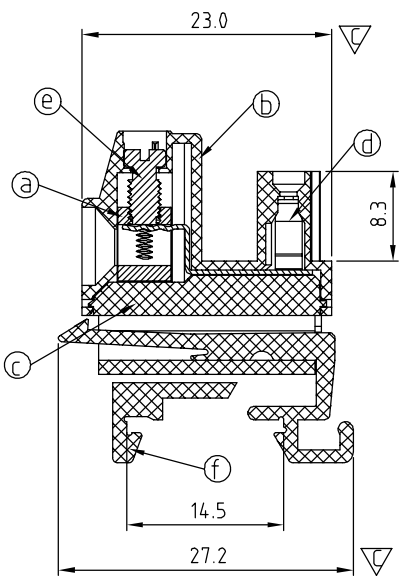
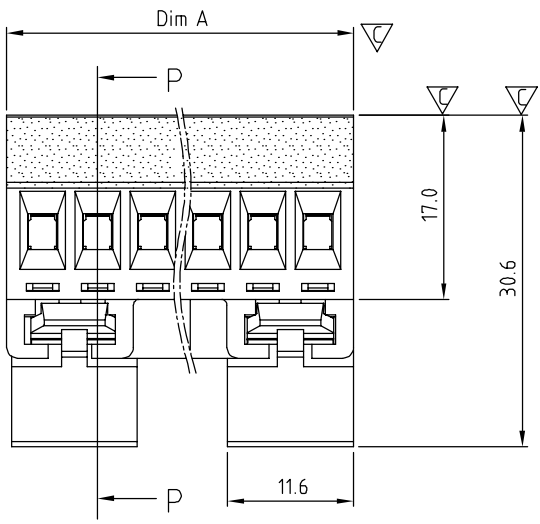


Dimension

Dim.A	$(N-1) \times 5.08 + 6.6$
Dim.B	$(N-1) \times 5.08$
Dim.C	$N \times 5.08$

N=Number of poles

Poles	Tolerance
2P - 6P	$\pm 0.15$
7P - 12P	$\pm 0.20$
13P - 18P	$\pm 0.30$
19P - 24P	$\pm 0.40$



SECTION P-P

SIGN	DATE	DESCRIPTION	APPROVER
△	11/09'11	Add is cULus	Aaron
△	11/09'11	The Dim C is added	Aaron

THIS IS CAD DRAWING, DO NOT REVISE MANUALLY!!!


Material:

- Item ㉑ Clamp: Brass Ni plated
- Item ㉒ Terminal (housing): Thermoplastic (UL94V-0)
- Item ㉓ Terminal (Cover): Thermoplastic (UL94V-0)
- Item ㉔ Male contact: PhBz, Tin plated.
- Item ㉕ Terminal screw: Steel Zinc plating " - " slot type
- Item ㉖ Terminal(track): Thermoplastic (UL94V-0)

Electrical: cULus

- Voltage rating:300V
- Current rating: 12A
- Wire range:
- Solid wire(AWG):12-30
- Stranded wire(AWG):12-30
- Torque:5.2Lb-In.
- Screw:M3
- Wire strip length: 6-7 mm
- Withstanding Voltage: 1.6KV
- Operating temperature:-40°C to +115°C


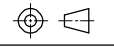
△ Safety Approval: 

● Critical dimension: 

● Part No.:

V9 xx 51 x 2 xxxx G

- No. OF POLES: 02: 2 POLES, 03: 3 POLES, ..., 24: 24 POLES
- Color: 0 Black (RAL9005), 5 Green(RAL6018/T), 6 Blue (RAL5015/A), 8 Grey(RAL7035/D), C Green(RAL6018/U)
- G: Pb<40000ppm
- 0000: "@ " Logo (Standard)
- 000A: "ANYTEK" Mark
- Any special item by customer request. please contact sales department.

		<b>CUSTOMER COPY</b> <small>ALL RIGHTS RESERVED. REPRODUCTION OR ISSUE TO THIRD PARTIES IN ANY FORM WHATSOEVER IS NOT PERMITTED WITHOUT WRITTEN AUTHORITY FROM THE PROPRIETOR. PROPERTY OF ANYTEK TECHNOLOGY CO., LTD</small>	
PART NO. V9xx51x2xxxxG		DWG NO. 8V90004	
APPROVED	CHECKED	DESIGNED	DRAWN
		Aaron 2011.11.09	Tony 2008.01.19
SHEET: 01/01		Tolerance	
		UNIT: mm	X. ±0.50
		SCALE: NONE	X.X ±0.30
REV.: C		X.XX ±0.10	X° ±1°

# Mouser Electronics

Authorized Distributor

Click to View Pricing, Inventory, Delivery & Lifecycle Information:

## Amphenol:

[V90251520000G](#) [V90351520000G](#) [V90451520000G](#) [V90551520000G](#) [V90651520000G](#) [V90751520000G](#)  
[V90851520000G](#) [V90951520000G](#) [V91051520000G](#) [V91151520000G](#) [V91251520000G](#) [V91351520000G](#)  
[V91451520000G](#) [V91551520000G](#) [V91651520000G](#) [V91751520000G](#) [V91851520000G](#) [V91951520000G](#)  
[V92051520000G](#) [V92151520000G](#) [V92251520000G](#) [V92351520000G](#) [V92451520000G](#)