

N = Number of poles  
 Dim A = N x 5.0 + 0.25  
 Dim B = (N - 1) x 5.0

Poles	Dim A	Dim B
2p-6p	±0.20	±0.20
7p-12p	±0.30	±0.30
13p-18p	±0.40	±0.40
19p-24p	±0.50	±0.50

SIGN	DATE	DESCRIPTION	APPROVER
THIS IS CAD DRAWING, DO NOT REVISE MANUALLY!!!			

**Material**

- Item (a) Terminal screw: Steel Zinc plating "-" slot type
- Item (b) Clamp: Brass, Ni plating
- Item (c) Wire guard solder pin: Brass, Tin plated
- Item (d) Terminal housing: Thermoplastic (UL94V-0)

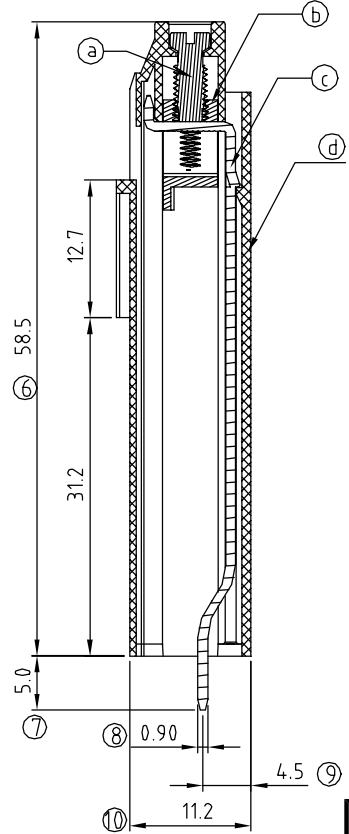
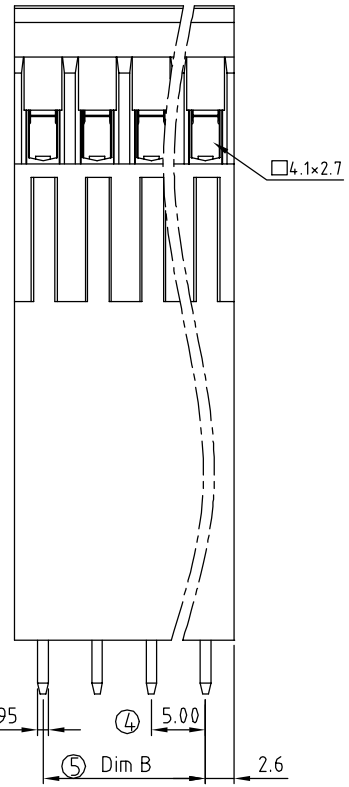
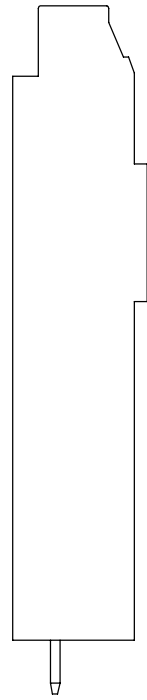
**Electrical**

- Voltage rating: 300VAC
- Current rating: 15A
- Wire range:
  - Solid wire (AWG): 12-28
  - Stranded wire (AWG): 12-28
- Torque (Lb-In): 4.3
- Screw: M3
- Wire strip length: 7-8mm
- Withstanding Voltage: 1.6KV
- Operating temperature: -40°C to +115°C
- Soldering temperature: 250°C ± 10°C / 5 Sec

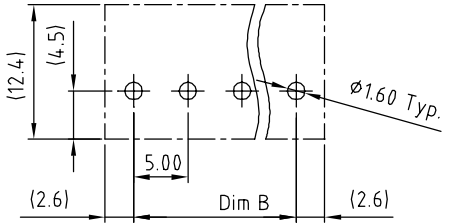
**PART NO.**

**YG xx 01 x 1 xxxx G**

No. of poles	0 Black (RAL9005)	0000 Standard @ Logo	RoHS Pb < 40,000ppm
02 2 Contacts	2 Red (RAL3001/D)	000A Standard ANY Logo	
03 3 Contacts	3 Orange (RAL2011/P)	Any special item by customer request, please contact sales department.	
— — — — —	4 Yellow (RAL1018/A)		
24 24 Contacts	5 Green (RAL6018/T)		
	6 Blue (RAL5015/A)		
	8 Grey (RAL7035/D)		
	9 White (RAL1102)		
	C Green (RAL6018/U)		



**SECTION P-P**



**P.C.B. Layout**

<b>ANYTEK</b>				<b>CUSTOMER COPY</b>			
ALL RIGHTS RESERVED. REPRODUCTION OR ISSUE TO THIRD PARTIES IN ANY FORM WHATSOEVER IS NOT PERMITTED WITHOUT WRITTEN AUTHORITY FROM THE PROPRIETOR, PROPERTY OF ANYTEK TECHNOLOGY CO., LTD							
TITLE		YG 5.0mm Series 2P-24P ( W/O cover )					
PART NO.		YGxx01x1xxxxG			DWG NO.		8YG0101
APPROVED		CHECKED	DESIGNED	DRAWN	CUST NO.		Tolerance
			Aaron 2011.04.07	Jacke 09/05/11			X. ±0.50 X.X ±0.30 X.XX ±0.10 X° ±1°
						UNIT: mm	
						SCALE: 2:1	
						REV.: B	
						SHEET: 01/01	

# Mouser Electronics

Authorized Distributor

Click to View Pricing, Inventory, Delivery & Lifecycle Information:

## Amphenol:

[YG0201510000G](#) [YG0301510000G](#) [YG0401510000G](#) [YG0501510000G](#) [YG0601510000G](#) [YG0701510000G](#)  
[YG0801510000G](#) [YG0901510000G](#) [YG1001510000G](#) [YG1101510000G](#) [YG1201510000G](#) [YG1301510000G](#)  
[YG1401510000G](#) [YG1501510000G](#) [YG1601510000G](#) [YG1701510000G](#) [YG1801510000G](#) [YG1901510000G](#)  
[YG2001510000G](#) [YG2101510000G](#) [YG2201510000G](#) [YG2301510000G](#) [YG2401510000G](#)