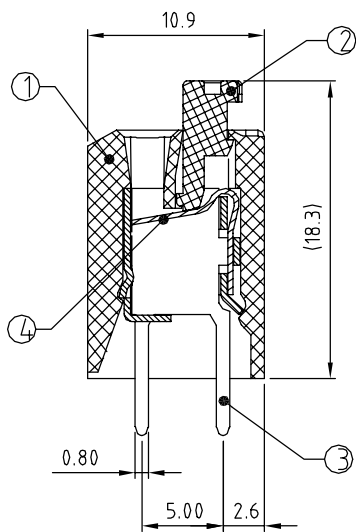
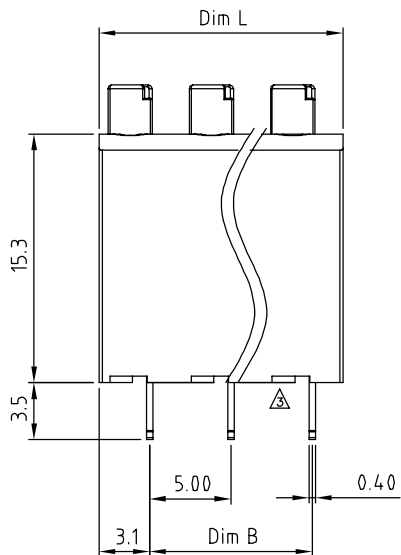
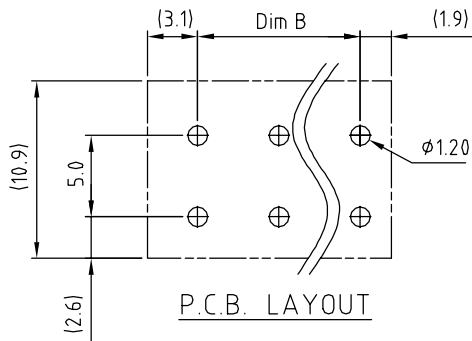
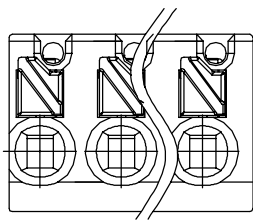


SIGN	DATE	DESCRIPTION	APPROVER
△	01/27/07	The Soldering temperature from 245° to 250°	Aaron
△	01/27/07	Add "VDE" stipulation	Aaron
△	8/6/07	The body bottom is changed.	Marvin

THIS IS CAD DRAWING, DO NOT REVISE MANUALLY!!!



Material

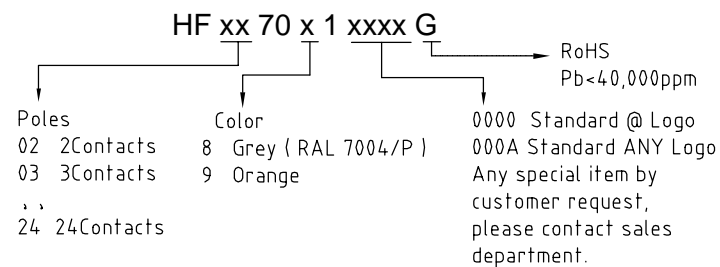
- Item 1 Insulating body Thermoplastic (UL94V-0)
- Item 2 Insulating lever Thermoplastic (UL94V-0)
- Item 3 Contact pin Brass, Tin plated
- Item 4 Spring clamp Stainless steel

△ Electrical cULus/VDE

- Voltage rating: 300VAC/450VAC
- Current rating: 10A/10A
- Wire range: 0.5-1.0mm²
- Solid wire(AWG): 16-20
- Stranded wire(AWG): 16-20
- Wire strip length: 8-9mm
- Withstanding Voltage: 1.6KV/2.5KV
- Operating temperature: -40°C to +115°C
- Soldering temperature: 250°C±10°C/5 Sec
- Safety Approval:



PART NO.



Poles	02	03	04	05	06	07	08	09	10	11	12	13
Dim L	10.00	15.00	20.00	25.00	30.00	35.00	40.00	45.00	50.00	55.00	60.00	65.00
Dim B	5.00	10.00	15.00	20.00	25.00	30.00	35.00	40.00	45.00	50.00	55.00	60.00
TOL	±0.15						±0.20				±0.25	
Poles	14	15	16	17	18	19	20	21	22	23	24	
Dim L	70.00	75.00	80.00	85.00	90.00	95.00	100.0	105.0	110.0	115.0	120.0	
Dim B	65.00	70.00	75.00	80.00	85.00	90.00	95.00	100.0	105.0	110.0	115.0	
TOL	±0.25						±0.30					

<h1>ANYTEK</h1>				<h2>CUSTOMER COPY</h2>			
ALL RIGHTS RESERVED. REPRODUCTION OR ISSUE TO THIRD PARTIES IN ANY FORM WHATSOEVER IS NOT PERMITTED WITHOUT WRITTEN AUTHORITY FROM THE PROPRIETOR. PROPERTY OF ANYTEK TECHNOLOGY CO., LTD							
TITLE		HF-5.0mm Series High profile type					
PART NO.		HFxx70x1xxxxG			DWG NO.		8HF0002
APPROVED		CHECKED	DESIGNED	DRAWN	CUST NO.		Tolerance
		Marvin 2007.08.06	Marvin 2007.08.06	Marvin 2007.08.06			X. ±0.50 X.X ±0.30 X.XX ±0.10 X° ±1°
						UNIT: mm SCALE: NONE SHEET: 01/01 REV.: F	

Mouser Electronics

Authorized Distributor

Click to View Pricing, Inventory, Delivery & Lifecycle Information:

Amphenol:

[HF0270810000G](#) [HF0370810000G](#) [HF0470810000G](#) [HF0570810000G](#) [HF0670810000G](#) [HF0770810000G](#)
[HF0870810000G](#) [HF0970810000G](#) [HF1070810000G](#) [HF1170810000G](#) [HF1270810000G](#) [HF1370810000G](#)
[HF1470810000G](#) [HF1570810000G](#) [HF1670810000G](#) [HF1770810000G](#) [HF1870810000G](#) [HF1970810000G](#)
[HF2070810000G](#) [HF2170810000G](#) [HF2270810000G](#) [HF2370810000G](#) [HF2470810000G](#) [HF0270510000G](#)