


| SIGN | DATE | DESCRIPTION | APPROVER |
|------|------------|--|----------|
| △ | 8/07'06 | Added VDE standard | 梁仁松 |
| △ | 12/02'08 | With flange screw changed from“-“slot type to “+/-“slot type | Jacke |
| △ | 12/02'08 | The temperature is changed from -30°C,+105°C to -40°C +115°C | Jacke |
| △ | 2010.11.26 | The tolerance is changed | Jacke |

THIS IS CAD DRAWING, DO NOT REVISE MANUALLY!!!

Material

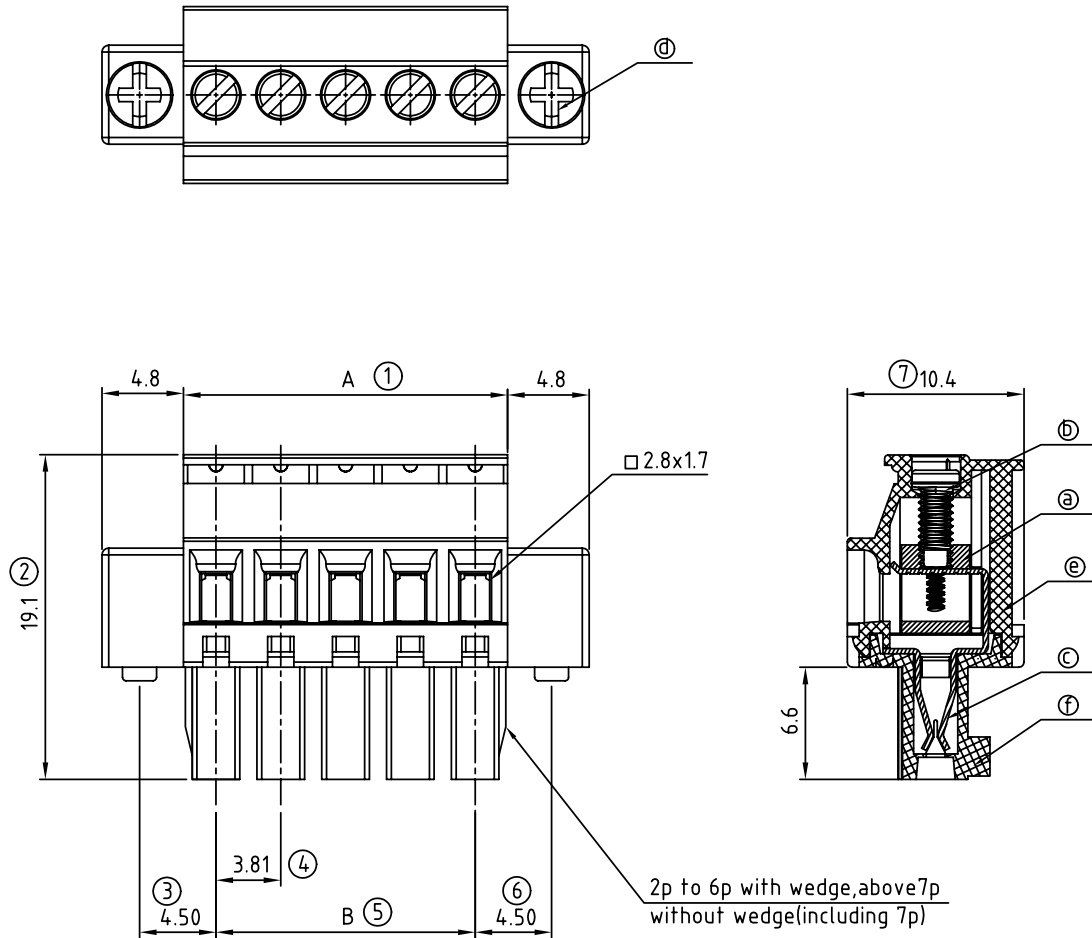
- Item a Clamp: Brass(CuZn) Ni plated
- Item b Terminal screw: Steel Zinc plating “-“ slot type
- Item c Female contact: PhBz Tin plated
- △ ● Item d With flange screw: Steel Zinc plating M2.5 “+/-“ slot type
- Item e Terminal(housing): Thermoplastic (UL94V-0)
- Item f Terminal(cover) :Thermoplastic (UL94V-0)

△ Electrical cULus/VDE

- Voltage rating: 300VAC/300VAC
- Current rating: 8A/10A
- Wire range: 1.5mm²
- Solid wire(AWG): 16-28
- Stranded wire(AWG): 16-28
- Torque: 1.7Lb-In./0.2Nm
- Screw: M2
- Wire strip length: 6-7mm
- Withstanding Voltage: 1.6KV/2.5KV
- △ ● Operating temperature: -40°C to +115°C
- Safety approval: 

TS xx 3 1 x D xxxx G

| | | |
|--------------|---------------------|------------------------|
| No. OF POLES | ↓ | RoHS pb<40, 000ppm |
| 02: 2 POLES | | |
| : | | |
| 24: 24 POLES | Color | |
| | 0 Black (RAL9005) | 0000 Standard @ Logo |
| | 2 Red (RAL3001/D) | 000A Standard ANY Logo |
| | 3 Orange(RAL2011/P) | Any special item by |
| | 4 Yellow(RAL1018/A) | customer request, |
| | 5 Green(RAL6018/T) | please contact sales |
| | 6 Blue (RAL5015/A) | department. |
| | 8 Grey(RAL7035/D) | |



2p to 6p with wedge, above 7p without wedge (including 7p)

DIMENSION
N = Number of contacts

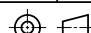
| | |
|---|------------|
| A | NX3.81 |
| B | (N-1)X3.81 |

| Poles | Tolerance |
|---------|-----------|
| 2p-6p | ±0.15 |
| 7p-12p | ±0.20 |
| 13p-16p | ±0.25 |
| 17p-24p | ±0.30 |

ANYTEK

CUSTOMER COPY

ALL RIGHTS RESERVED. REPRODUCTION OR ISSUE TO THIRD PARTIES IN ANY FORM WHATSOEVER IS NOT PERMITTED WITHOUT WRITTEN AUTHORITY FROM THE PROPRIETOR. PROPERTY OF ANYTEK TECHNOLOGY CO., LTD

| | | | | | |
|----------|---------|---|---------------------|---|--|
| TITLE | | TS-3.81mm Series With flange (for latch on back side) | | | |
| PART NO. | | TSxx31xDxxxxG | | DWG NO. 8TS0304 | |
| APPROVED | CHECKED | DESIGNED | DRAWN | CUST NO. | |
| | | Jacke 2010.11.29 | Jacke 2009.12.23 | | |
| | | | |  | |
| | | | | UNIT: mm SCALE: NONE SHEET: 01/01 REV.: G | |
| | | | | Tolerance X. ±0.50 X.X ±0.30 X.XX ±0.10 X° ±1° | |

Mouser Electronics

Authorized Distributor

Click to View Pricing, Inventory, Delivery & Lifecycle Information:

Amphenol:

[TS02315D0000G](#) [TS03315D0000G](#) [TS04315D0000G](#) [TS05315D0000G](#) [TS06315D0000G](#) [TS07315D0000G](#)
[TS08315D0000G](#) [TS09315D0000G](#) [TS10315D0000G](#) [TS11315D0000G](#) [TS12315D0000G](#) [TS13315D0000G](#)
[TS14315D0000G](#) [TS15315D0000G](#) [TS16315D0000G](#) [TS17315D0000G](#) [TS18315D0000G](#) [TS19315D0000G](#)
[TS20315D0000G](#) [TS21315D0000G](#) [TS22315D0000G](#) [TS23315D0000G](#) [TS24315D0000G](#) [TS09310D0000G](#)
[TS11318D0000G](#) [TS14310D0000G](#) [TS13310D0000G](#) [TS17310D0000G](#) [TS19318D0000G](#) [TS20310D0000G](#)
[TS12318D0000G](#) [TS14318D0000G](#) [TS12310D0000G](#) [TS08318D0000G](#) [TS22310D0000G](#) [TS22318D0000G](#)
[TS23310D0000G](#) [TS13318D0000G](#) [TS24310D0000G](#) [TS15310D0000G](#) [TS19310D0000G](#) [TS16310D0000G](#)
[TS18318D0000G](#) [TS24318D0000G](#) [TS21318D0000G](#) [TS08310D0000G](#) [TS16318D0000G](#) [TS17318D0000G](#)
[TS18310D0000G](#) [TS21310D0000G](#) [TS10310D0000G](#) [TS20318D0000G](#) [TS23318D0000G](#) [TS02310D0000G](#)
[TS03310D0000G](#) [TS02318D0000G](#) [TS03318D0000G](#) [TS09318D0000G](#) [TS10318D0000G](#) [TS04310D0000G](#)
[TS05310D0000G](#) [TS06310D0000G](#) [TS06318D0000G](#) [TS07310D0000G](#) [TS04318D0000G](#) [TS05318D0000G](#)
[TS07318D0000G](#) [TS11310D0000G](#) [TS15318D0000G](#)